

NOTES:

1. STEEL REINFORCING BARS SHALL CONFORM TO ASTM A615 SPECIFICATION, GRADE 60.
2. ALL CONCRETE WORK SHALL CONFORM TO ACI 318 BUILDING CODE REQUIREMENTS FOR REINFORCED CONCRETE, 4,000 PSI COMPRESSIVE STRENGTH AT 28 DAYS MINIMUM.
3. ALL REINFORCING STEEL SHALL BE TIED AND FORMED INTO A CAGE PRIOR TO SETTING INTO POSITION IN THE EXCAVATED PIER.
4. EXCAVATION SHALL BE CLEAN OF ALL LOOSE MATERIAL AND NO WATER SHALL BE STANDING IN THE BOTTOM OF THE PIER HOLE AT THE TIME OF THE PLACING OF THE CONCRETE.
5. PLACING OF ALL CONCRETE INTO PIER HOLES OF DEPTH GREATER THAN 6'-0" SHALL BE DONE UTILIZING A TREMIE OR SIMILAR DEVICE TO PREVENT THE SEGREGATION OF CONCRETE.
6. FOUNDATIONS DESIGNED AS PER SOIL REPORT SUBMITTED 2/19/85

WMUZ-FM RADIO
DETROIT, MICHIGAN

NAME DRILL AND BELL FOUNDATION		PART NO. 104.311	
APPROVED BY	DR BY	DATE	
	JOHN R. ERICHSEN	2/22/85	
REG. ENGINEER	SCALE	NONE	
REG. NO.	DWG. NO.	107151-B	SHEET 3 OF 3

PI-ROD INC.

PLYMOUTH, INDIANA 46563

DWG. NO. 107151-B
SHEET 3 OF 3

FABRICATED SECTION DATA

SEC #	SECTION PART#	LEG SIZE	BRACE SIZE	SECTION WEIGHT	BOLTS AT BOTTOM DIAM	BOLTS AT BOTTOM LENGTH #
S-4.0	107275	1- 1/2"	5/8"	169#	9/16"	3-1/2" 9
H-4.5	100246	2"	3/4"	1082#	3/4"	5" 15
H-5.0	100247	2- 1/4"	7/8"	1505#	3/4"	5" 15
H-5.5	100248	2- 1/2"	7/8"	1694#	3/4"	5" 15
H-6.0	105748	2- 1/2"	1"	2043#	7/8"	6" 15
H-6.5	100250	2- 3/4"	1"	2381#	7/8"	6" 15
H-7.0	105930	2- 3/4"	1- 1/4"	2763#	1"	3-1/4" 18

BREAKDOWN SECTION DATA

SEC #	SECTION PART#	LEG SIZE	LEG PART#	TOP DIAG PART#	BOT DIAG PART#	QTY	SECTION HEIGHT	LEG CONNECT DIAM	LEG CONNECT LENGTH	DIAG CONNECT DIAM	DIAG CONNECT LENGTH
U-8.0		1- 3/4"	105246		105561		1227#	1"	3-1/4"	1"	2-1/4"
U-10.0		1- 3/4"	105218	105565	105568		2586#	1"	3-1/4"	1"	2-1/4"
U-12.0		1- 3/4"	105218	105571	105574		2645#	1"	3-1/4"	1"	2-1/4"
U-14.0		1- 3/4"	105218	105577	105580		3126#	1"	3-1/4"	1"	2-1/4"
U-15.0		1- 3/4"	105218	105583	105588		3243#	1"	3-1/4"	1"	2-1/4"
U-18.0		1- 3/4"	105218	105592	105595		3473#	1"	3-1/4"	1"	2-1/4"
U-20.0		1- 3/4"	105636	105599	105602		3593#	1"	3-1/2"	1-1/4"	2-3/4"
U-22.0		2"	105219	105604	105607		4925#	1-1/4"	4-1/2"	1-1/4"	2-3/4"
U-24.0		2"	105219	105610	105613		5347#	1-1/4"	4-1/2"	1-1/4"	2-3/4"
U-26.0		2"	105219	105616	105618		6306#	1-1/4"	4-1/2"	1-1/4"	2-3/4"
U-28.0		2"	105219	105620	105623		6581#	1-1/4"	4-1/2"	1-1/4"	2-3/4"
U-30.0		2- 1/4"	105220	105626	105628		7365#	1-1/4"	4-1/2"	1-1/4"	2-3/4"
U-32.0		2- 1/4"	107020		105664		7700#	1/4"	5 1/2"	1/4"	3- 1/4"
U-34.0		2- 1/4"	107018		105665		7975#	1/4"	5 1/2"	1/4"	3- 1/4"
U-36.0		2- 1/4"	107018		105666		8253#	1/4"	5 1/2"	1/4"	3- 1/4"
U-38.0		2- 1/2"	105656		106667		9757#	1/4"	5 1/2"	1/4"	3- 1/4"
U-40.0		2- 1/2"	105699		105668		10066#			1/4"	3- 1/4"

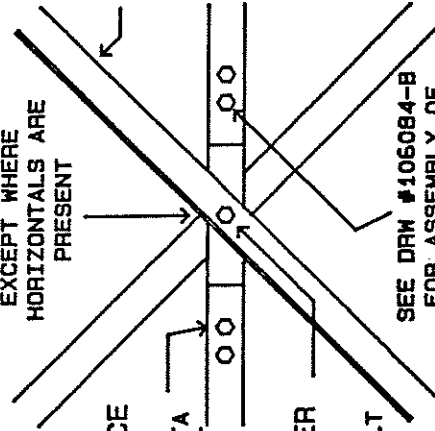
HORIZONTAL DATA

HORIZ HT	IN SEC#	HORIZ PART#	HORIZ TYPE	BOLTS DIAM	BOLTS LENGTH
200	U-22.0		3	SEE # 106084-B	

USE SPACER #104291 BETWEEN DIAGONALS EXCEPT WHERE HORIZONTALS ARE PRESENT

TYPE 3 HORIZONTAL BRACE (AS REQUIRED) SEE HORIZONTAL DATA TABLE FOR HEIGHT AND PART #

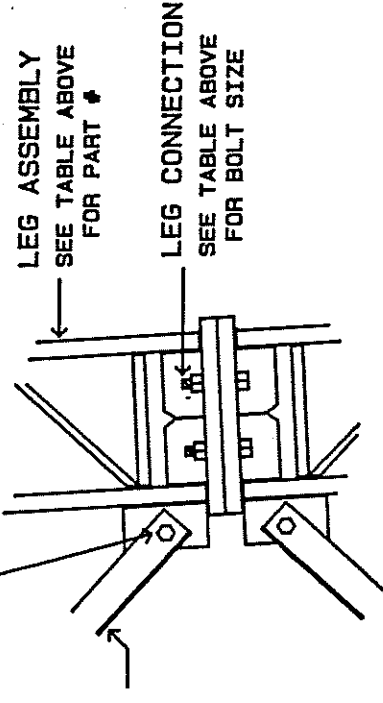
DIAGONAL CENTER CONNECTION 3/4" X 2-1/4" BOLT



SEE DRW #106084-B FOR ASSEMBLY OF TYPE 3 HORIZONTALS

DIAGONAL CONNECTION

SEE TABLE ABOVE FOR BOLT SIZE



VIEW D

(SEE PAGE 1 FOR VIEW DEFINITION)

VIEW C

NOTES

- TOWER DESIGN CONFORMS TO EIA STANDARD RS-222-C FOR 90/36 PSF WINDLOAD WITH NO ICE..
- MATERIAL: (A) TOWER MEMBERS 3/4" AND LARGER: Fy=50,000 PSI. (B) TOWER MEMBERS LESS THAN 3/4" Fy=36,000 PSI.
- BASE REACTIONS: TOTAL WEIGHT = 114.0 KIPS. MOMENT = 10270.3 KIP/FT. MAXIMUM SHEAR = 54.6 KIPS TOTAL.
- FOUNDATION DESIGNED PER SOIL REPORT 2/19/85. CONCRETE TO BE 4,000 PSI @ 28 DAYS. REINFORCING BAR TO CONFORM TO ASTM A615 GRADE 60 SPECIFICATIONS. CONCRETE INSTALLATION TO CONFORM TO ACI-318 BUILDING REQUIREMENTS FOR REINFORCED CONCRETE. ALL CONCRETE TO BE PLACED AGAINST UNDISTURBED EARTH FREE OF WATER AND ALL FOREIGN OBJECTS AND MATERIALS.
- FINISH: HOT DIPPED GALVANIZED AFTER FABRICATION. FAA CODE PAINTED PRIOR TO SHIPMENT.
- ANTENNAS: ONE- FOUR BAY FM ON PYLON WITH 3" LINE FM ANTENNAES ASSUMED TO BE 14 SQ. FT. EACH
- MIN. WELDS 1/4" UNLESS OTHERWISE SPECIFIED. ALL WELDING TO CONFORM TO AWS SPECIFICATIONS.
- EIA GROUNDING FOR TOWER.
- A- 4 LIGHT KIT IN CONDUIT

WMUZ-FM RADIO
DETROIT, MICHIGAN

PART NO. 104,311

PI-ROD, INC.

PLYMOUTH, INDIANA 46563

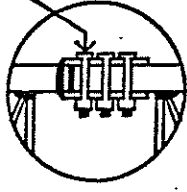
NAME
U 40.0 X 495'
SELF-SUPPORTING TOWER

APPROVED BY
DR BY
DATE
MBG 26-FEB-85

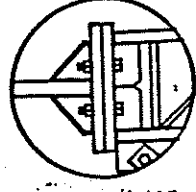
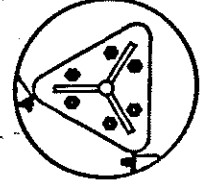
REG. ENGINEER
REG. NO
SCALE
AS NOTED

DWG. NO.: 107151-B
(0192B) PAGE 2 OF 2

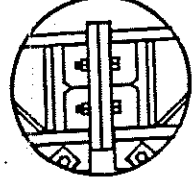
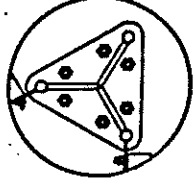
A-325 BOLTS
SEE TABLE PAGE 2



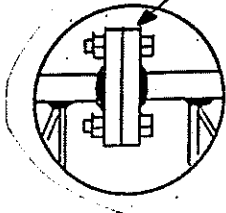
VIEW A
TYPICAL LEG CONNECTION
FOR FABRICATED SECTIONS



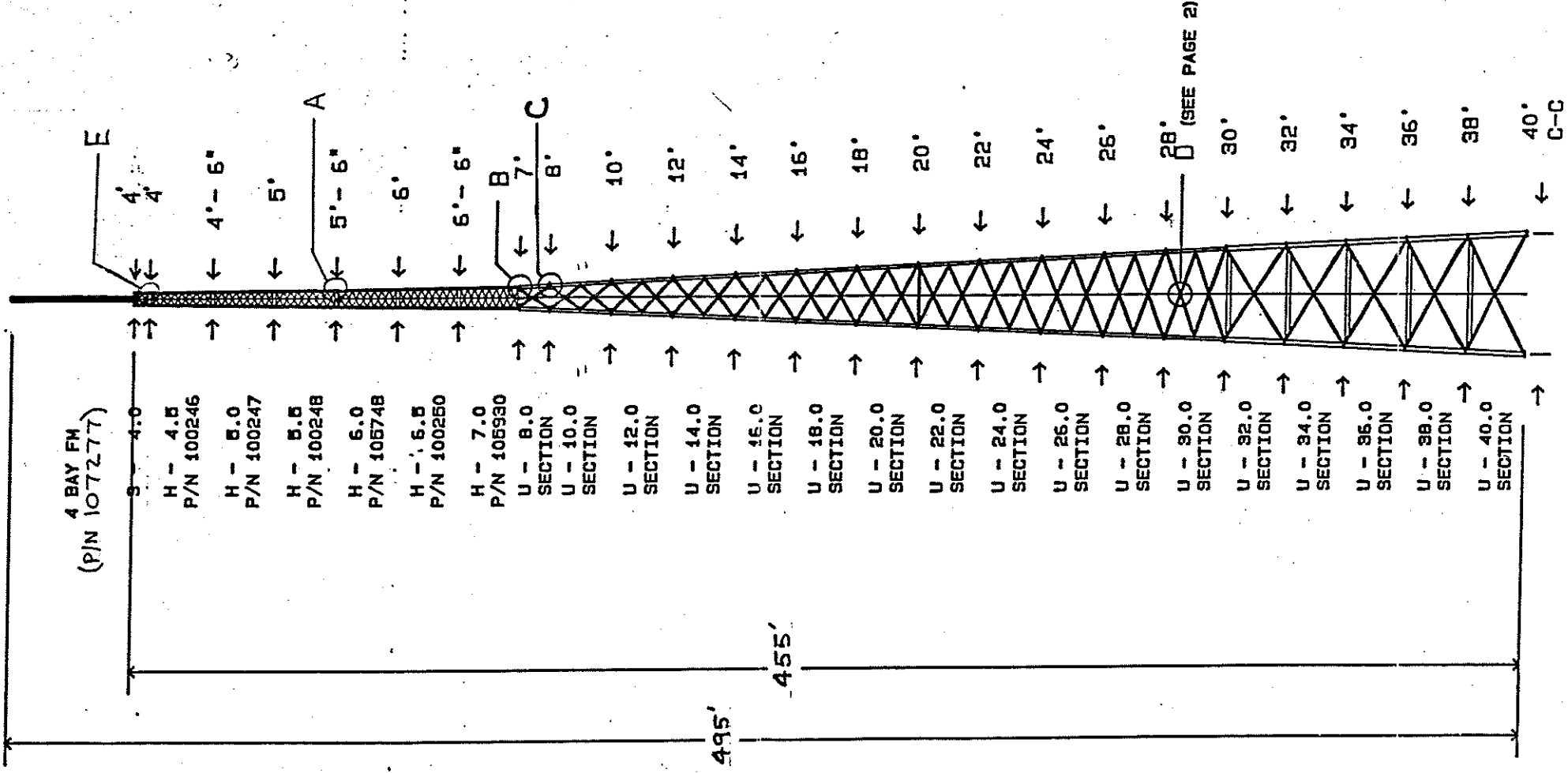
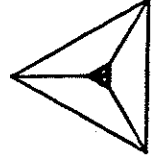
VIEW B
LEG CONNECTION AT 330 FT.



VIEW C
TYPICAL LEG CONNECTION
FOR BREAKDOWN SECTIONS



VIEW E
FOOTPAD 100050
(TO BE USED AT THE
450' LEVEL)



WMUZ-FM RADIO
DETROIT, MICHIGAN

PART NO. 104,311

NAME

U 40.0 X 495'
SELF-SUPPORTING TOWER

PI-ROD, INC.

PLYMOUTH, INDIANA 46563

REVISION FOUND	DATE
WAS 40' TO 495'	4/23/85
REVISED FROM	DATE
535' TO 495'	4/17/85
REVISED NOTE	DATE
#4, PAGE 2	4/17/85

CHG	REVISED	DATE
LET	MBG	3/18/85
	DESCRIPTION	DATE

APPROVED BY	DR BY	DATE
	MBG	26-FEB-86
REG. ENGINEER	SCALE	AS NOTED
REG. NO		

REVISIONS

DWG. NO. 107151-B PAGE 1 OF 2

WMUZ-FM RADIO
DETROIT, MICHIGAN

26-FEB-85
10:46:20 (V3.11)

WINDLOAD:30/35 PSF 0.0 ICE

PI-ROD MODEL U-40 X 495

TOPLOAD-- SQ. FT. 37.00 MOMENT 28.00
WEIGHT 5.00 LINE 4.00

POINT LOADS-- HT. SQ. FT. WT. LINE

200.0 10.8 0.1 1.0
200.0 10.8 0.1 1.0
200.0 10.8 0.1 1.0
480.0 14.0 2.0 3.0

FABRICATED SECTIONS--

#	WIDTH	LENGTH	LEG	DIAG.	WT.
1	4.0	5.0	1.500	0.625	0.169
2	4.0	20.0	1.500	0.625	0.676
3	4.0	20.0	1.750	0.750	0.861
4	4.5	20.0	2.000	0.750	1.082
5	5.0	20.0	2.250	0.875	1.505
6	5.5	20.0	2.500	0.875	1.694
7	6.0	20.0	2.500	1.000	2.044
8	6.5	20.0	2.750	1.000	2.381
9	7.0	20.0	2.750	1.125	2.763

#12 BREAKDOWN SECTIONS--

#	WIDTH	LENGTH	LEG SECTION	DIAG.	WT.
10	8.0	10.0	#12 SECT 1.75 RODS	0.187 X 2.5 X 2.5	1.227
11	10.0	20.0	#12 SECT 1.75 RODS	0.187 X 3.0 X 3.0	2.586
12	12.0	20.0	#12 SECT 1.75 RODS	0.187 X 3.0 X 3.0	2.645
13	14.0	20.0	#12 SECT 1.75 RODS	0.312 X 3.0 X 3.0	3.126
14	16.0	20.0	#12 SECT 1.75 RODS	0.312 X 3.0 X 3.0	3.243
15	18.0	20.0	#12 SECT 1.75 RODS	0.250 X 4.0 X 4.0	3.473
16	20.0	20.0	#12 SECT 1.75 RODS	0.250 X 4.0 X 4.0	3.593
17	22.0	20.0	#12 SECT 2.00 RODS	0.250 X 4.0 X 4.0	4.325
18	24.0	20.0	#12 SECT 2.00 RODS	0.375 X 4.0 X 4.0	5.347
19	26.0	20.0	#12 SECT 2.00 RODS	0.375 X 5.0 X 5.0	6.306
20	28.0	20.0	#12 SECT 2.00 RODS	0.375 X 5.0 X 5.0	6.581
21	30.0	20.0	#12 SECT 2.25 RODS	0.375 X 5.0 X 5.0	7.365

#18 BREAKDOWN SECTIONS--

#	WIDTH	LENGTH	LEG SECTION	HORIZ	TENSION	WT
22	32.0	20.0	#18 2.25 RODS	#18 1.500 RODS	0.375 X5.0 X5.0	7.700
23	34.0	20.0	#18 2.25 RODS	#18 1.500 RODS	0.375 X5.0 X5.0	7.976
24	36.0	20.0	#18 2.25 RODS	#18 1.500 RODS	0.375 X5.0 X5.0	8.253
25	38.0	20.0	#18 2.50 RODS	#18 1.500 RODS	0.375 X6.0 X6.0	9.757
26	40.0	20.0	#18 2.50 RODS	#18 1.500 RODS	0.375 X6.0 X6.0	10.066

WMUZ-FM RADIO
DETROIT, MICHIGAN

26-FEB-85
10:46:20

MAXIMUM FORCES AND RATIOS TO ALLOWABLE--

	LEG COMPR.		SHEAR COMPR.		TENSION MEMBER	
	-----	-----	-----	-----	-----	-----
1	11.77	0.29	1.42	0.32	0.00	0.00
2	24.11	0.60	2.54	0.57	0.00	0.00
3	40.98	0.71	3.20	0.34	0.00	0.00
4	55.38	0.70	3.92	0.50	0.00	0.00
5	70.66	0.69	4.74	0.37	0.00	0.00
6	86.82	0.67	5.58	0.51	0.00	0.00
7	103.95	0.80	6.54	0.40	0.00	0.00
8	122.14	0.77	7.54	0.52	0.00	0.00
9	141.41	0.89	8.62	0.43	0.00	0.00
10	138.08	0.69	9.53	0.89	0.00	0.00
11	137.02	0.69	11.48	0.60	0.00	0.00
12	140.17	0.70	13.22	0.74	0.00	0.00
13	145.75	0.73	15.02	0.59	0.00	0.00
14	152.89	0.77	16.90	0.77	0.00	0.00
15	161.38	0.81	19.10	0.51	0.00	0.00
16	171.04	0.86	21.40	0.65	0.00	0.00
17	183.10	0.69	24.97	0.88	0.00	0.00
18	196.20	0.74	27.68	0.77	0.00	0.00
19	210.51	0.80	30.90	0.50	0.00	0.00
20	225.89	0.86	34.26	0.63	0.00	0.00
21	242.43	0.73	37.84	0.78	0.00	0.00
22	259.71	0.82	40.85	0.27	32.38	0.48
23	277.42	0.88	43.96	0.30	34.20	0.50
24	295.58	0.93	47.17	0.33	36.11	0.53
25	314.71	0.80	50.83	0.36	38.38	0.46
26	334.50	0.85	54.61	0.39	40.75	0.48

TOTALS--

MOMENT	10270.39	WEIGHT	114.05	STEEL WEIGHT	106.75
SHEAR	54.61	COMPRESSION	334.50	UPLIFT	258.47

PI-ROD INC.

WMUZ-FM RADIO
 DETROIT MICHIGAN
 MODEL : U- 40.0 x 495

JOB # : A- 104,311 (IV3.00)
 DRW # : 107151- 8 (IV3.01)

BILL OF MATERIALS

13-MAR-85 09:24:24

REVISION: DATE : INITIALS: DESCRIPTION

A '4/23/85' MBG : REVISED PAINT LIST AND PAGES 6 AND 12-18

QUANTITY: PART # : DRAWING#: DESCRIPTION
 + EXTRAS: : :

SECTION U-40: : TAPER 40.0--38.0 BOTTOM HT.= 0 (PAINT ALL ORANGE)

3 : 105699 : 105699-B : #18 LEG SECTION (BASE) 2 1/2 IN. RODS

3 : 103122 : 103118-B : HORIZONTAL BRACE (35 FEET, 3 29/32 IN. LONG)

6 : 105668 : 105664-B : DIAGONAL BRACE (41 FT, 2 3/16 IN. LONG, 3/8 x 6 x 6 IN.

3+1 : 104347 : 104291-A : SPACER

24+2 : 1 1/4 X 3 1/4 : A-325 BOLT W/LOCKNUT --- DIAGONAL CONNECTION

3+1 : 5/8 X 2 1/2 : A-325 BOLT W/LOCKNUT --- DIAGONAL CENTER CONN

18+2 : 1 X 3 1/2 : A-325 BOLT W/LOCKNUT --- HORIZONTAL CONN

: : :

: : :

: : :

: : :

: : :

: : : ASSEMBLY DRAWING 103620-B

ANCHOR STEEL

3 : 105405 : 105405-A : PLATE- ANCHOR BOLT

1 : : 103620-B : BASE TEMPLATE (#18 LEG SECTION)

: SPACERS TO TOTAL 34.0 FEET

6 : 104356 : 104352-A : SPACER FOR BASE TEMPLATE

: NOTE-- SPACER(S) MAY BE REPLACED BY MORE SHORTER SPACERS

18 : 105406 : 105406-A : 2 X 60 IN. ANCHOR BOLT W/ NUTS

13-MAR-85 09:24:24

QUANTITY: PART # : DRAWING#: DESCRIPTION

+ EXTRAS: : : #

SECTION U-38: : TAPER 38.0--36.0 BOTTOM HT. = 20

3 : 105656 : 105656-B : #18 LEG SECTION (2 1/2 IN. RODS) (PAINT ALL ORANGE)

3 : 103121 : 103118-B : HORIZONTAL BRACE (33 FEET, 3 29/32 IN. LONG)

6 : 106667 : 105664-B : DIAGONAL BRACE (39 FT, 4 7/8 IN. LONG, 3/8 x 6 x 6 IN.)

3+1 : 104347 : 104291-A : SPACER

24+2 : 1 1/4 X 3 1/4 : A-325 BOLT W/LOCKNUT --- DIAGONAL CONNECTION

3+1 : 5/8 X 2 1/2 : A-325 BOLT W/LOCKNUT --- DIAGONAL CENTER CONN

18+2 : 1 x 3 1/2 : A-325 BOLT W/LOCKNUT --- HORIZONTAL CONN

36+2 : 1 1/4 X 5 1/2 : A-325 BOLT W/LOCKNUT --- LEG CONNECTION

: : :

: : :

: : :

: : :

SECTION U-36: : TAPER 36.0--34.0 BOTTOM HT. = 40

3 : 107018 : 105656-B : #18 LEG SECTION (2 1/4 IN. RODS) (PAINT ALL ORANGE)

3 : 103120 : 103118-B : HORIZONTAL BRACE (31 FEET, 3 29/32 IN. LONG)

6 : 105666 : 105664-B : DIAGONAL BRACE (37 FT, 7 13/16 IN. LONG, 3/8 x 5 x 5 IN.)

3+1 : 104347 : 104291-A : SPACER

24+2 : 1 1/4 X 3 1/4 : A-325 BOLT W/LOCKNUT --- DIAGONAL CONNECTION

3+1 : 5/8 X 2 1/2 : A-325 BOLT W/LOCKNUT --- DIAGONAL CENTER CONN

18+2 : 1 x 3 1/2 : A-325 BOLT W/LOCKNUT --- HORIZONTAL CONN

36+2 : 1 1/4 X 5 1/2 : A-325 BOLT W/LOCKNUT --- LEG CONNECTION

: : :

: : :

: : :

: : :

CONT'.--

QUANTITY: PART # : DRAWING# : DESCRIPTION
 + EXTRAS: : : *

SECTION U-34: : TAPER 34.0--32.0 BOTTOM HT. = 60

3 : 107016:105656-B : #18 LEG SECTION (2 1/4" IN. RODS) (B 10 ORANGE, T10 WHITE)

3 : 103119 :103118-B : HORIZONTAL BRACE (29 FEET, 3 29/32 IN. LONG)

6 : 105665 : 105664-B: DIAGONAL BRACE (35 FT, 11 1/16 IN. LONG, 3/8 x 5 x 5 IN.

3+1 : 104347 :104291-A : SPACER

24+2 : 1 1/4 X 3 1/4 : A-325 BOLT W/LOCKNUT --- DIAGONAL CONNECTION

3+1 : 5/8 X 2 1/2 : A-325 BOLT W/LOCKNUT --- DIAGONAL CENTER CONN

18+2 : 1 x 3 1/2 : A-325 BOLT W/LOCKNUT --- HORIZONTAL CONN

36+2 : 1 1/4 X 5 1/2 : A-325 BOLT W/LOCKNUT --- LEG CONNECTION

: : :

: : :

: : :

: : :

SECTION U-32: : TAPER 32.0--30.0 BOTTOM HT. = 80 (WHITE)

3 : 107020:103271-B : #18 LEG (TRANSITION TO #12) 2 1/4" IN. Rod

3 : 103118 :103118-B : HORIZONTAL BRACE (27 FEET, 3 29/32 IN. LONG)

6 : 105664 : 105664-B: DIAGONAL BRACE (34 FT, 2 21/32 IN. LONG, 3/8 x 5 x 5 IN.

3+1 : 104347 :104291-A : SPACER

24+2 : 1 1/4 X 3 1/4 : A-325 BOLT W/LOCKNUT --- DIAGONAL CONNECTION

3+1 : 5/8 X 2 1/2 : A-325 BOLT W/LOCKNUT --- DIAGONAL CENTER CONN

18+2 : 1 x 3 1/2 : A-325 BOLT W/LOCKNUT --- HORIZONTAL CONN

36+2 : 1 1/4 X 5 1/2 : A-325 BOLT W/LOCKNUT --- LEG CONNECTION

: : :

: : :

: : :

: : :

QUANTITY:	PART #	DRAWING#:	DESCRIPTION
+ EXTRAS:	:	:	:
SECTION U-30:			
			TAPER 30.0--28.0 BOTTOM HT.=100
			PAINT ALL WHITE
3	105220	105219-B	#12 LEG SECTION (2 1/4 IN. RODS)
6	105626	105556-B	DIAGONALS 3/8 x 6 x 6 28 FT. 5 / IN.
6	105628	105556-B	DIAGONALS 3/8 x 6 x 6 29 FT. 4 3/ 8 IN.
18 + 2	1 1/4 x 4 1/2		A-325 BOLTS W/ LOCKNUTS--LEG CONNECTION
24 + 2	1 1/4 x 2 3/4		A-325 BOLTS W/ LOCKNUTS--DIAG CONNECTION
6 + 1	3/4 x 2 1/4		A-325 BOLTS W/ LOCKNUTS ---- DIAGONAL CENTER CONNECTION
6 + 1	104291	104291-A	SPACERS--BRACE DIAGONALS
SECTION U-28:			
			TAPER 28.0--26.0 BOTTOM HT.=120
			PAINT ALL WHITE
3	105219	105219-B	#12 LEG SECTION (2 IN. RODS)
6	105620	105556-B	DIAGONALS 3/8 x 5 x 5 26 FT. 6 13/32 IN.
6	105623	105556-B	DIAGONALS 3/8 x 5 x 5 27 FT. 5 11/16 IN.
18 + 2	1 1/4 x 4 1/2		A-325 BOLTS W/ LOCKNUTS--LEG CONNECTION
24 + 2	1 1/4 x 2 3/4		A-325 BOLTS W/ LOCKNUTS--DIAG CONNECTION
6 + 1	3/4 x 2 1/4		A-325 BOLTS W/ LOCKNUTS ---- DIAGONAL CENTER CONNECTION
6 + 1	104291	104291-A	SPACERS--BRACE DIAGONALS

DETROIT MICHIGAN

CONT'--
5

13-MAR-85 10:46:18

QUANTITY: PART # : DRAWING# : DESCRIPTION
+ EXTRAS: : :

SECTION U-26: : TAPER 26.0--24.0 BOTTOM HT.=140

: : : PAINT ALL ORANGE

3 : 105219 :105219-B : #12 LEG SECTION (2 IN. RODS)

6 : 105616 :105556-B : DIAGONALS 3/8 x 5 x 5 24 FT. 8 1/16 IN.

6 : 105618 :105556-B : DIAGONALS 3/8 x 5 x 5 25 FT. 7 7/32 IN.

18 + 2 : 1 1/4 x 4 1/2 : A-325 BOLTS W/ LOCKNUTS--LEG CONNECTION

24 + 2 : 1 1/4 X 2 3/4 : A-325 BOLTS W/ LOCKNUTS--DIAG CONNECTION

6 + 1 : 3/4 x 2 1/4 : A-325 BOLTS W/ LOCKNUTS ---- DIAGONAL CENTER CONNECTION

6 + 1 : 104291 :104291-A : SPACERS--BRACE DIAGONALS

: : :

: : :

: : :

: : :

SECTION U-24: : TAPER 24.0--22.0 BOTTOM HT.=160

: : : PAINT ALL ORANGE

3 : 105219 :105219-B : #12 LEG SECTION (2 IN. RODS)

6 : 105610 :105556-B : DIAGONALS 3/8 x 4 x 4 22 FT. 10 / IN.

6 : 105613 :105556-B : DIAGONALS 3/8 x 4 x 4 23 FT. 9 / IN.

18 + 2 : 1 1/4 x 4 1/2 : A-325 BOLTS W/ LOCKNUTS--LEG CONNECTION

24 + 2 : 1 1/4 X 2 3/4 : A-325 BOLTS W/ LOCKNUTS--DIAG CONNECTION

6 + 1 : 3/4 x 2 1/4 : A-325 BOLTS W/ LOCKNUTS ---- DIAGONAL CENTER CONNECTION

6 + 1 : 104291 :104291-A : SPACERS--BRACE DIAGONALS

: : :

: : :

: : :

: : :

: : :

: : :

DETROIT MICHIGAN

6

13-MAR-85 09:24:24

QUANTITY: PART # : DRAWING#: DESCRIPTION
 + EXTRAS: : :

SECTION U-22: : TAPER 22.0--20.0 BOTTOM HT.=180

: : : PAINT ALL ORANGE

3 : 105219 : 105219-B : #12 LEG SECTION (2 IN. RODS)

6 : 105604 : 105556-B : DIAGONALS 1/4 x 4 x 4 21 FT. 9/32 IN.

6 : 105607 : 105556-B : DIAGONALS 1/4 x 4 x 4 21 FT. 11 3/32 IN.

18 + 2 : 1 1/4 x 4 1/2 : A-325 BOLTS W/ LOCKNUTS--LEG CONNECTION

24 + 2 : 1 1/4 x 2 3/4 : A-325 BOLTS W/ LOCKNUTS--DIAG CONNECTION

6 + 1 : 3/4 x 2 1/4 : A-325 BOLTS W/ LOCKNUTS ---- DIAGONAL CENTER CONNECTION

6 + 1 : 104291 : 104291-A : SPACERS--BRACE DIAGONALS

3 : 107355 : 105938-B : BRACE - HORIZONTAL 3/8" x 5 x 5 18 FT. 7/32 IN.

: : :

: : :

: : :

SECTION U-20: : TAPER 20.0--18.0 BOTTOM HT.=200

: : : PAINT B10 ORANGE, T10 WHITE

3 : 105636 : 107343-B : #12 LEG SECTION (1 3/4 IN. RODS) 1 1/4 DIAG BOLTS

6 : 105599 : 105556-B : DIAGONALS 1/4 x 4 x 4 19 FT. 3 1/32 IN.

6 : 105602 : 105556-B : DIAGONALS 1/4 x 4 x 4 20 FT. 1 19/32 IN.

18 + 2 : 1 x 3 1/2 : A-325 BOLTS W/ LOCKNUTS--LEG CONNECTION

18 + 2 : : : SPACERS--1 9/32" O.D. x 1 3/32" I.D. x 1 3/16" long

24 + 2 : 1 1/4 x 2 3/4 : A-325 BOLTS W/ LOCKNUTS--DIAG CONNECTION

6 + 1 : 3/4 x 2 1/4 : A-325 BOLTS W/ LOCKNUTS ---- DIAGONAL CENTER CONNECTION

6 + 1 : 104291 : 104291-A : SPACERS--BRACE DIAGONALS

: : :

: : :

: : :

: : :

: : :

DETROIT MICHIGAN

CONT'--
7

13-MAR-85 09:24:24

QUANTITY: PART # : DRAWING#: DESCRIPTION
+ EXTRAS: : :

SECTION U-18: : TAPER 18.0--16.0 BOTTOM HT.=220

: : : PAINT ALL WHITE

3 : 105218 :105217-B :#12 LEG SECTION (1 3/4 IN. RODS)

6 : 105592 :105556-B : DIAGONALS 1/4 x 4 x 4 17 FT. 7 29/32 IN.

6 : 105595 :105556-B : DIAGONALS 1/4 x 4 x 4 18 FT. 6 3/16 IN.

18 + 2 : 1 X 3 1/4 : A-325 BOLTS W/ LOCKNUTS--LEG CONNECTION

24 + 2 : 1 X 2 1/4 : A-325 BOLTS W/ LOCKNUTS--DIAG CONNECTION

6 + 1 : 3/4 x 2 1/4 : A-325 BOLTS W/ LOCKNUTS ---- DIAGONAL CENTER CONNECTION

6 + 1 : 104291 :104291-A : SPACERS--BRACE DIAGONALS

: : :

: : :

: : :

: : :

SECTION U-16: : TAPER 16.0--14.0 BOTTOM HT.=240

: : : PAINT ALL WHITE

3 : 105218 :105217-B :#12 LEG SECTION (1 3/4 IN. RODS)

6 : 105583 :105556-B : DIAGONALS 5/16 x 3 x 3 15 FT. 11 31/32 IN.

6 : 105588 :105556-B : DIAGONALS 5/16 x 3 x 3 16 FT. 9 27/32 IN.

18 + 2 : 1 X 3 1/4 : A-325 BOLTS W/ LOCKNUTS--LEG CONNECTION

24 + 2 : 1 X 2 1/4 : A-325 BOLTS W/ LOCKNUTS--DIAG CONNECTION

6 + 1 : 3/4 x 2 1/4 : A-325 BOLTS W/ LOCKNUTS ---- DIAGONAL CENTER CONNECTION

6 + 1 : 104291 :104291-A : SPACERS--BRACE DIAGONALS

: : :

: : :

: : :

: : :

: : :

: : :

DETROIT MICHIGAN

9

13-MAR-85 09:24:24

QUANTITY: PART # : DRAWING# : DESCRIPTION
 + EXTRAS: : :

SECTION U-10: : TAPER 10.0-- 8.0 BOTTOM HT.=300

: : : PAINT ALL ORANGE

3 : 105218 : 105217-B : #12 LEG SECTION (1 3/4 IN. RODS)

6 : 105565 : 105556-B : DIAGONALS 3/16 x 3 x 3 11 FT. 8 7/32 IN.

6 : 105568 : 105556-B : DIAGONALS 3/16 x 3 x 3 12 FT. 3 5/8 IN.

18 + 2 : 1 X 3 1/4 : A-325 BOLTS W/ LOCKNUTS--LEG CONNECTION

24 + 2 : 1 X 2 1/4 : A-325 BOLTS W/ LOCKNUTS--DIAG CONNECTION

6 + 1 : 3/4 x 2 1/4 : A-325 BOLTS W/ LOCKNUTS ---- DIAGONAL CENTER CONNECTION

6 + 1 : 104291 : 104291-A : SPACERS--BRACE DIAGONALS

: : :

: : :

: : :

: : :

SECTION U- 8: : TAPER 8.0-- 7.0 BOTTOM HT.=320

: : : PAINT ALL ORANGE

3 : 105246 : 105243-B : #12 LEG SECTION (1 3/4 IN. RODS) 10 FT.

6 : 105561 : 105556-B : DIAGONALS 3/16 x 2.5 x 2.5 11 FT. 1 15/32 IN.

18 + 2 : 1 X 3 1/4 : A-325 BOLTS W/ LOCKNUTS--LEG CONNECTION

12 + 2 : 1 X 2 1/4 : A-325 BOLTS W/ LOCKNUTS--DIAG CONNECTION

3 + 1 : 3/4 x 2 1/4 : A-325 BOLTS W/ LOCKNUTS ---- DIAGONAL CENTER CONNECTION

3 + 1 : 104291 : 104291-A : SPACERS--BRACE DIAGONALS

: : :

: : :

: : :

: : :

: : :

: : :

: : :

DETROIT MICHIGAN

10

13-MAR-85 09:24:24

QUANTITY:	PART #	DRAWING#:	DESCRIPTION
+ EXTRAS:	:	:	:
:	:	:	TAPER 84-- 78 BOTTOM HT.=330 SECTION H-7.0
:	:	:	PAIN T ALL ORANGE
1	: 105930	: 105930-B	: FABRICATED SECTION--2.750 LEGS 1.250 DIAGONALS
18 + 2	: 1 X 3 1/4	:	: A-325 BOLTS W/ LOCKNUTS --LEG CONNECTION
:	:	:	:
:	:	:	:
:	:	:	:
:	:	:	:
:	:	:	:
:	:	:	TAPER 78-- 72 BOTTOM HT.=350 SECTION H-6.5
:	:	:	PAIN T ALL WHITE
1	: 100250	: 100250-A	: FABRICATED SECTION--2.750 LEGS 1.000 DIAGONALS
15 + 1	: 7/8 X 6	:	: A-325 BOLTS W/ LOCKNUTS --LEG CONNECTION
:	:	:	:
:	:	:	:
:	:	:	:
:	:	:	:
:	:	:	:
:	:	:	:
:	:	:	:
:	:	:	:
:	:	:	:
:	:	:	:
:	:	:	:
:	:	:	:
:	:	:	:
:	:	:	:
:	:	:	:
:	:	:	:
:	:	:	:

QUANTITY:	PART #	DRAWING#	DESCRIPTION
+ EXTRAS:			
			STRAIGHT 48-48 BOTTOM HT 950'
			PAINT ALL ORANGE
1	107275	107275-A	FABRICATED SECTION - 1.500 LEG 0.625 DIAGONALS (S
6	1/2" x 6"		A-325 BOLTS W/LOCKNUTS
1		107277-B	PYLON ASSY (90')
1	106689	106689-A	PIPE SECTION (8" PIPE - 500 WALL)
1	106688	106688-A	PIPE SECTION (8" PIPE - 322 WALL) W/BEACON PLATE
20	1" x 4"		A-325 BOLTS W/LOCKNUTS
1	101620	101620-A	LIGHTNING ROD
2			1/2" NUTS & LOCKS FOR LIGHTNING ROD
		101650-A	GROUNDING MATERIALS
3			8 FT. GROUND RODS
3	101628	101628-A	GROUND ROD CLAMPS
3	101629	101629-A	PLATE GROUND CONNECTORS
3 + 1	1/2" x 1 1/2		A-325 BOLTS W/LOCKNUTS AND WASHERS
33			#2 COPPER GROUND WIRE

4-22-85

QUANTITY: PART # | DRAWING# | DESCRIPTION
+ EXTRAS:

LINE HANGING BRACKET

2	107361	107137-B	BRKT TRANS LINE HANGER MTG - 453,449 L
1	107137	"	" " " " - 440' LEV
1	107138	"	" " " " - 430'
1	107139	"	" " " " - 420'
1	107174	"	" " " " - 410'
1	107175	"	" " " " - 400'
1	107176	"	" " " " - 390'
1	107177	"	" " " " - 380'
1	107178	"	" " " " - 370'
1	107179	"	" " " " - 360'
1	107180	"	" " " " - 350'
1	107181	"	" " " " - 340'

26+2 100069 100069-A CLAMPS

8+2 1/2" φ X 2 1/2" (FULL THD) A-325 BOLT w/ LOCKNUTS (1 1/2" φ L)

44+4 1/2" φ X 9" A-325 BOLT w/ LOCKNUTS (2" φ L, 2 1/2" φ L, 2 1/2" φ L)

29 107182 107182-A BRKT-TRANS LINE HANGER MTG (#12 LEG)

7 107183 107183-A " " " " (#18 LEG)

62+4 100069 100069-A CLAMPS

124+8 1/2" φ X 9" A-325 BOLT w/ LOCKNUTS

QUANTITY:	PART #	DRAWING#:	DESCRIPTION
+ EXTRAS:	:	:	:
:	:	:	ICE BRIDGE ASSEMBLY
:	:	:	:
:	:	:	:
:	:	:	:
:	:	:	:
:	:	:	:
:	:	:	:
:	:	:	:
:	:	:	:
:	:	:	:
:	:	:	:
:	:	:	:
:	:	:	:
:	:	:	:
:	:	:	:
:	:	:	:
:	:	:	:
:	:	:	:
:	:	:	:
:	:	:	:
:	:	:	:
1	:	:	CAN COLD-GALV FOR TOUCH UP
2	:	:	GALLON(S) FAA ORANGE
2	:	:	GALLON(S) FAA WHITE
4	:	:	PAINT MITTS

QUANTITY:	PART #	DRAWING#:	DESCRIPTION
+ EXTRAS:	:	:	:
:	:	:	A- 4 LIGHT KIT
:	:	:	FOR OVERALL HEIGHT OF 495 FEET
:	:	:104164-B	LAYOUT DIAGRAM
:	:	:104174-B	TOWER WIRING SCHEMATIC
:	:	:104181-B	CONTROLLER WIRING SCHEMATIC
:	:	:104180-B	ASSEMBLY DRAWING
:	:	:	BEACON LEVELS - 495 249 FEET
:	:	:	SIDE LIGHT LEVELS - 372 126 FEET
2	: 100862	:	300MM BEACON ASSEMBLY WITH PIGTAIL
4	: 100863	:	RED BEACON FILTER
4	: 100864	:	620 WATT BEACON BULB (PACKED WITH FILTER)
6	: 100870	:	OBSTRUCTION LIGHT FIXTURE WITH LENSE
6	: 100872	:	116 WATT OBSTRUCTION LIGHT BULB
1	: 103397	:105102-B	PRLC-A5 CONTROLLER WITH PHOTOCELL & MOUNT
4	: 100801	:	PR2-3030 JUNCTION BOX ASSEMBLY
5	: 100803	:	PR2-3232 JUNCTION BOX ASSEMBLY
2	: 100866	:	PI-ROD VENT
2	: 100883	:	PI-ROD DRAIN
6	: 100873	:	3/4" CLOSE NIPPLE
2	: 100884	:	3/4" X 2" NIPPLE
1	: 104859	:	1" X 4" NIPPLE
1	: 104857	:	1" X 8" NIPPLE
1	: 104849	:	1" CLOSE NIPPLE
6	: 100877	:	3/4" COUPLING

CONT'

DETROIT MICHIGAN

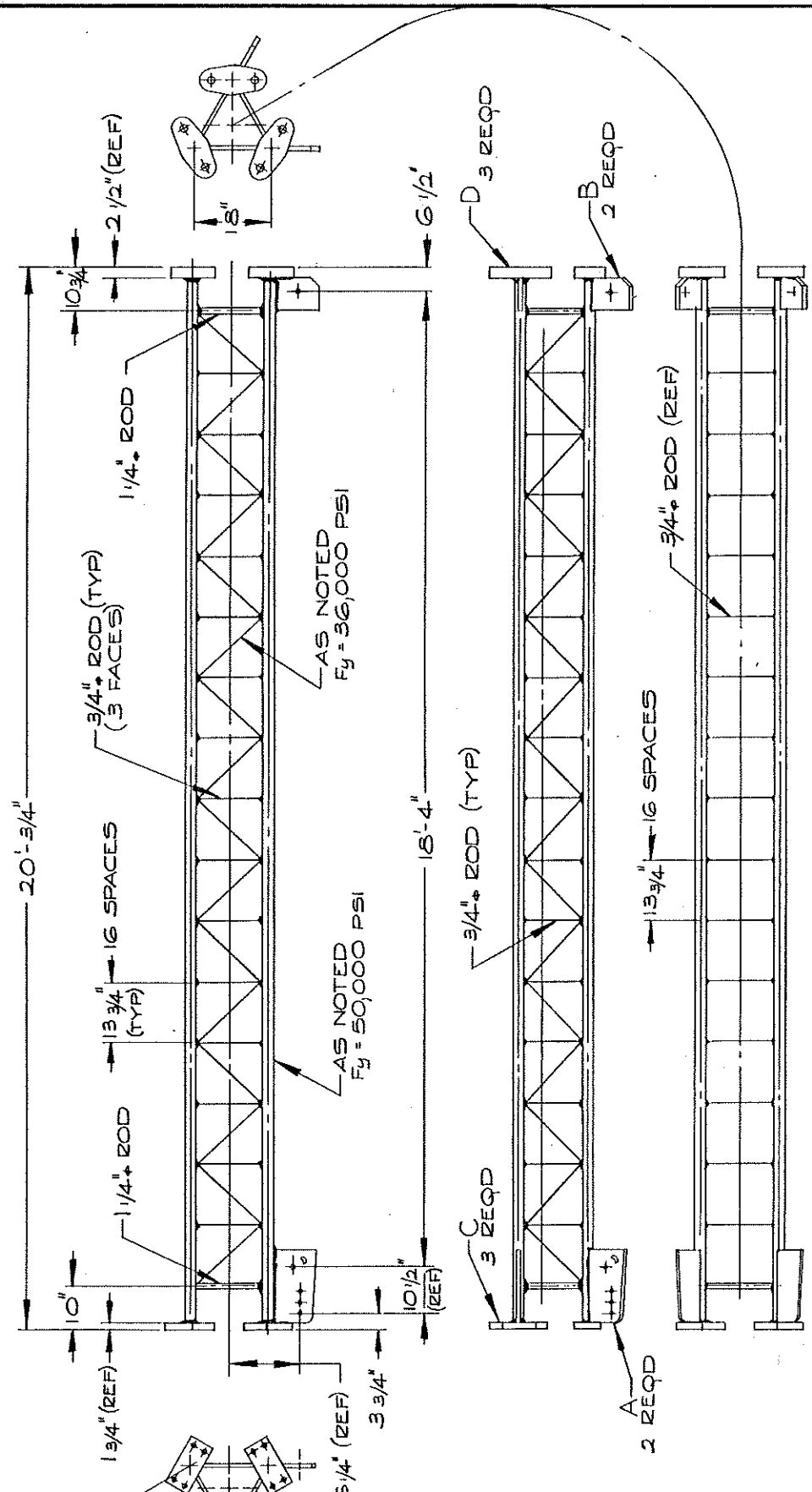
13-MAR-85 09:24:24

17

QUANTITY:	PART #	DRAWING#:	DESCRIPTION
+ EXTRAS:	:	:	:
1	100879		1" PIPE PLUG
2	100880		1" LOC-NUTS
9	100895		1" TO 3/4" BUSHING
1	101470		1-1/4" TO 1" BUSHING
9	100906		1" UNION
2			STRAIGHT CONNECTOR FOR 3/4" FLEX CONDUIT
12	100874		CGB-295 SO CONNECTOR (OBST. LIGHTS)
2	101360		CGB-296 SO CONNECTOR (BEACON)
6	100148		STANDARD OBSTRUCTION LIGHT BRACKETS
6	100876		#011 U-BOLT ASSEMBLY
2	100904		3/4" 3 WAY CONDULET WITH COVER & GASKET
2	100885		1" 3 WAY CONDULET WITH COVER & GASKET
1	101767	101767-A	BEACON ICE SHIELD / WORK PLATFORM
1	102366	102366-B	SIDE BEACON MOUNT
26	100064	100064-A	PI-ROD CLAMP (LEGS LESS THAN 3-1/2")
26			1/2" X 4" LTHD BOLT & LKNUT (FOR 1-1/8" TO 3" LEG)
8			5/8" X 2" BOLT WITH NUT & LOCK (BEACON)
49	100878		#013 U-BOLT ASSEMBLY (CONDUIT ATTACHMENT)
18			RED WIRE-NUTS (FOR UP TO 2 EA. #8 WIRES)
24			BLUE WIRE-NUTS (FOR MORE THAN 2 EA. #8 WIRES)
3			PIPE JOINT COMPOUND - USE AT ALL JOINTS
49	100905		1" RIGID CONDUIT (10' SECTIONS)
152 FT	100875		#14/2 SO RUBBER CORD (SIDE LIGHTS)
17 FT			#12/2 SO RUBBER CORD (BEACON)
1			KELLUMS GRIP TO SUPPORT 12/2 AT TOP OF POLE

CON

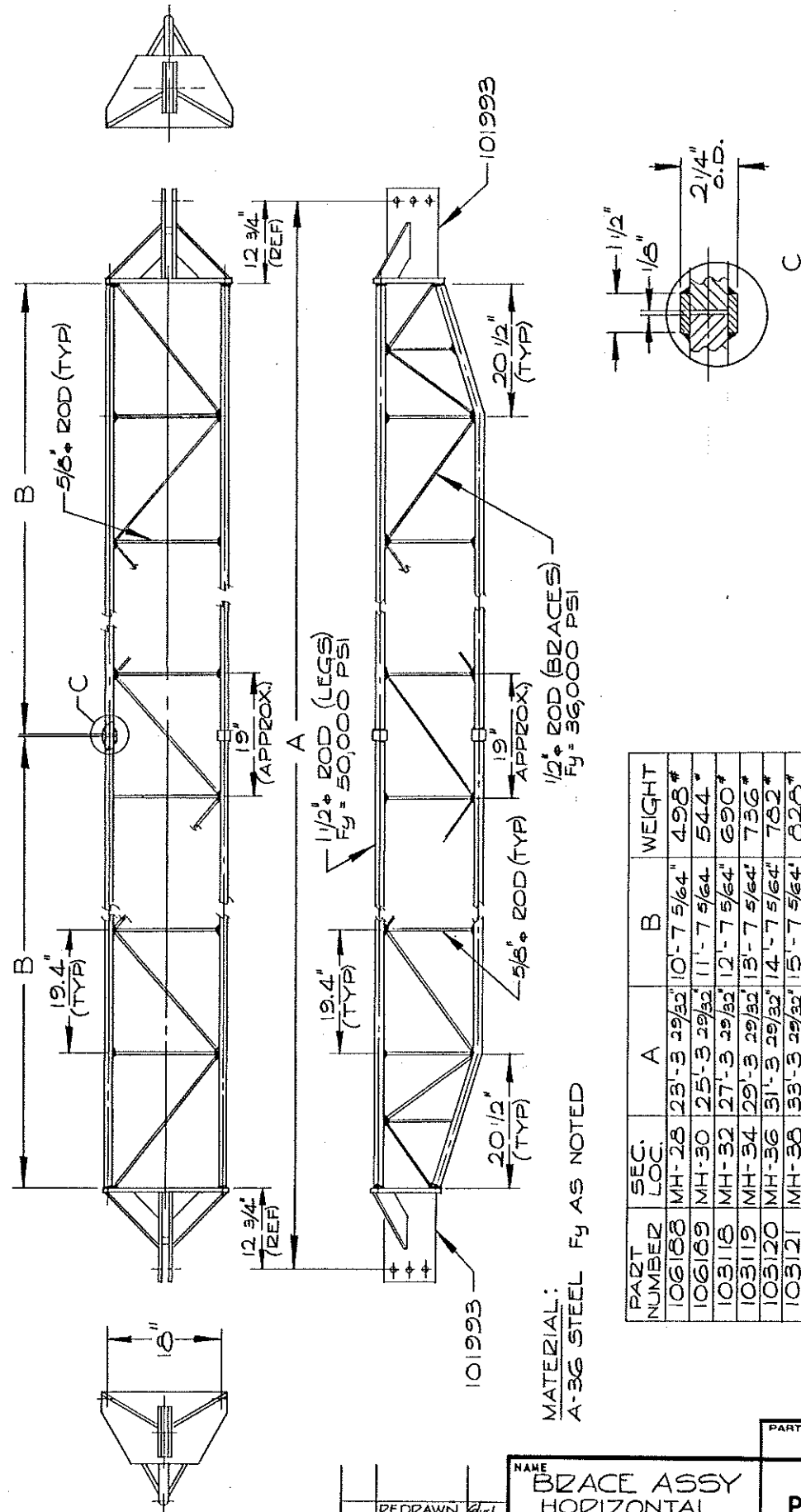
QUANTITY:	PART #	DRAWING#:	DESCRIPTION
+ EXTRAS:			
3 FT :			3/4" FLEXIBLE LIQUIDTITE CONDUIT
431 FT :			#8 THHN RED COPPER WIRE
575 FT :			#8 THHN BLACK COPPER WIRE
431 FT :			#8 THHN WHITE COPPER WIRE
287 FT :			#8 THHN COLOR - COPPER WIRE
575 FT :			#6 THHN WHITE COPPER WIRE
:	:	:	
:	:	:	
:	:	:	
:	:	:	
:	:	:	
:	:	:	
:	:	:	
:	:	:	
:	:	:	
:	:	:	
:	:	:	
:	:	:	
:	:	:	
:	:	:	
:	:	:	
:	:	:	
:	:	:	
:	:	:	
:	:	:	
:	:	:	
:	:	:	



PART NUMBER	LEG DIA	BRACE DIA	A	B	C	D	WEIGHT
105699	2 1/2"	3/4"	105650	105653	101990	105401	1715*
105700	2 3/4"	3/4"	105651	105654	101990	105401	1925*
105701	3"	3/4"	105652	105655	101990	105401	2145*
107015	2"	3/4"	107026	107024	101990	105401	1175*
107016	2 1/4"	3/4"	107027	107025	101990	105401	1340*

2", 2 1/4", 2 1/2", 2 3/4" & 3" LEG

C	3RD VIEW ADDED	3/2/85	DJR	NAME #18 SECTION MODEL MH (BASE SECTION)	APPROVED BY	DR BY DATE 3/2/85 3/1/84	SCALE 1/2" = 1'-0"
B	3 FACES ADDED	3/3/85	DJR				
A	107015 & 107016 ADDED	1/14/85	DJR				
CHG LET	DESCRIPTION	DATE	REG. ENGINEER	REG. NO.	PART NO.		
	REVISIONS				PI-ROD, INC. PLYMOUTH, INDIANA 46563		
					DWG. NO. 105699-B		



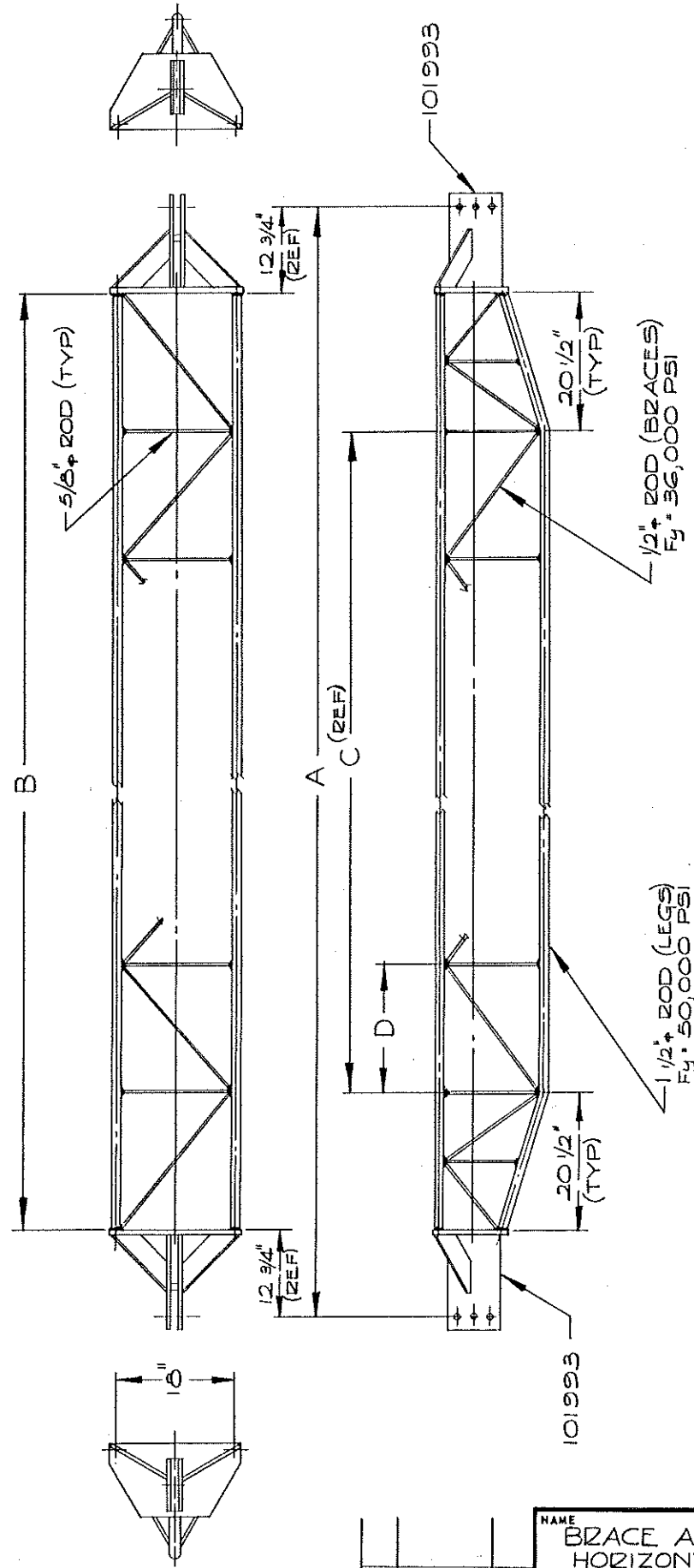
MATERIAL:
A-36 STEEL Fy AS NOTED

PART NUMBER	SEC. LOC.	A	B	WEIGHT
106188	MH-28	23'-3 29/32"	10'-7 5/64"	498*
106189	MH-30	25'-3 29/32"	11'-7 5/64"	544*
103118	MH-32	27'-3 29/32"	12'-7 5/64"	690*
103119	MH-34	29'-3 29/32"	13'-7 5/64"	736*
103120	MH-36	31'-3 29/32"	14'-7 5/64"	782*
103121	MH-38	33'-3 29/32"	15'-7 5/64"	828*
103122	MH-40	35'-3 29/32"	16'-7 5/64"	874*
103123	MH-42	37'-3 29/32"	17'-7 5/64"	920*
105672	MH-44	39'-3 29/32"	18'-7 5/64"	966*
106190	MH-46	41'-3 29/32"	19'-7 5/64"	1012*
106191	MH-48	43'-3 29/32"	20'-7 5/64"	1058*
106192	MH-50	45'-3 29/32"	21'-7 5/64"	1104*

CHG LET	DESCRIPTION	DATE
C	REDRAWN NEW PINS ADDED	9/28/84

NAME BRACE ASSY HORIZONTAL (#18 MH SERIES)	
APPROVED BY	DR BY DATE
REG. ENGINEER	3/22/82
REG. NO.	SCALE

PART NO.	
PI-ROD, INC.	
PLYMOUTH, INDIANA 46563	
DWG. NO.	103118-B



MATERIAL:
A-36 STEEL F_y AS NOTED

PART NUMBER	SEC. LOC.	A	B	C	D	NO. OF SPACES	WEIGHT
106193	MH-20	15'-3 29/52"	13'-2 13/52"	9'-9 13/52"	19.5"	6	315#
106194	MH-22	17'-3 29/52"	15'-2 13/52"	11'-9 13/52"	20.2"	8	360#
106195	MH-24	19'-3 29/52"	17'-2 13/52"	13'-9 13/52"	18.4"	9	406#
106196	MH-26	21'-3 29/52"	19'-2 13/52"	15'-9 13/52"	16.9"	10	452#

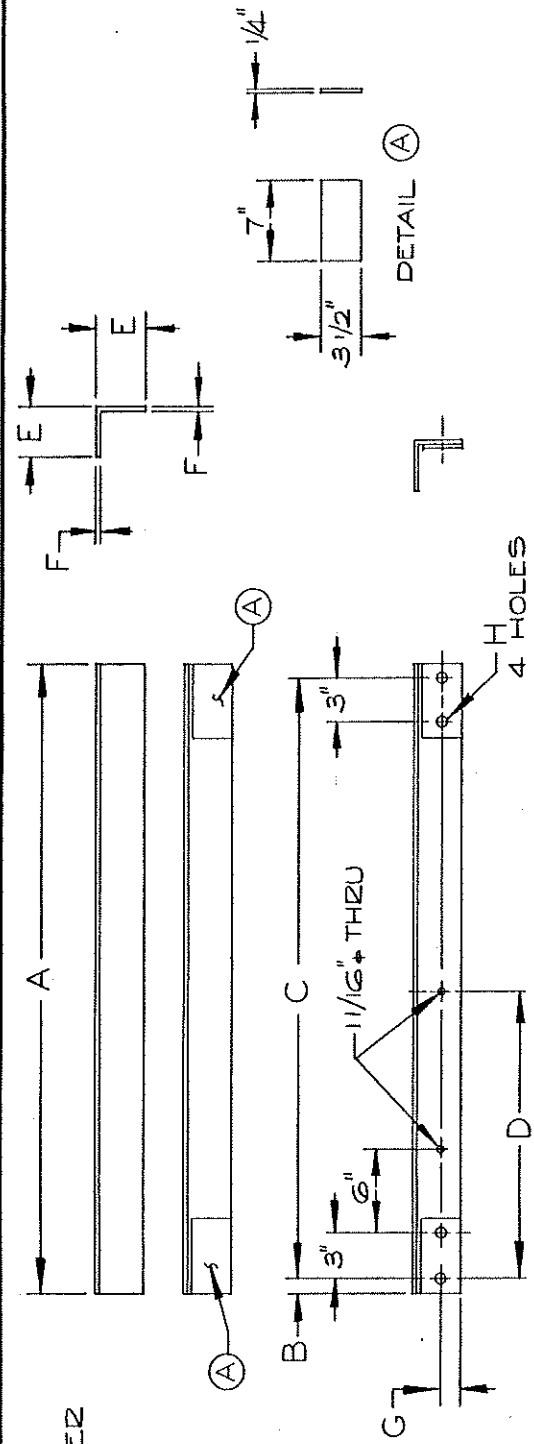
CHG LET	DESCRIPTION	DATE
C	SHEET #2 ADDED	

NAME BRACE ASSY HORIZONTAL (#18 MH SERIES)	
APPROVED BY	DR BY DATE
REG. ENGINEER	SCALE
REG. NO.	

PART NO.	
PI-ROD, INC.	
PLYMOUTH, INDIANA 46563	
DWG. NO.	103118-B

NOTE:
BRACE TO BE ASSEMBLED TO TOWER
WITH THE 3 HOLES AT TOP

MATERIAL:
A-36 STEEL ANGLE & PLATE

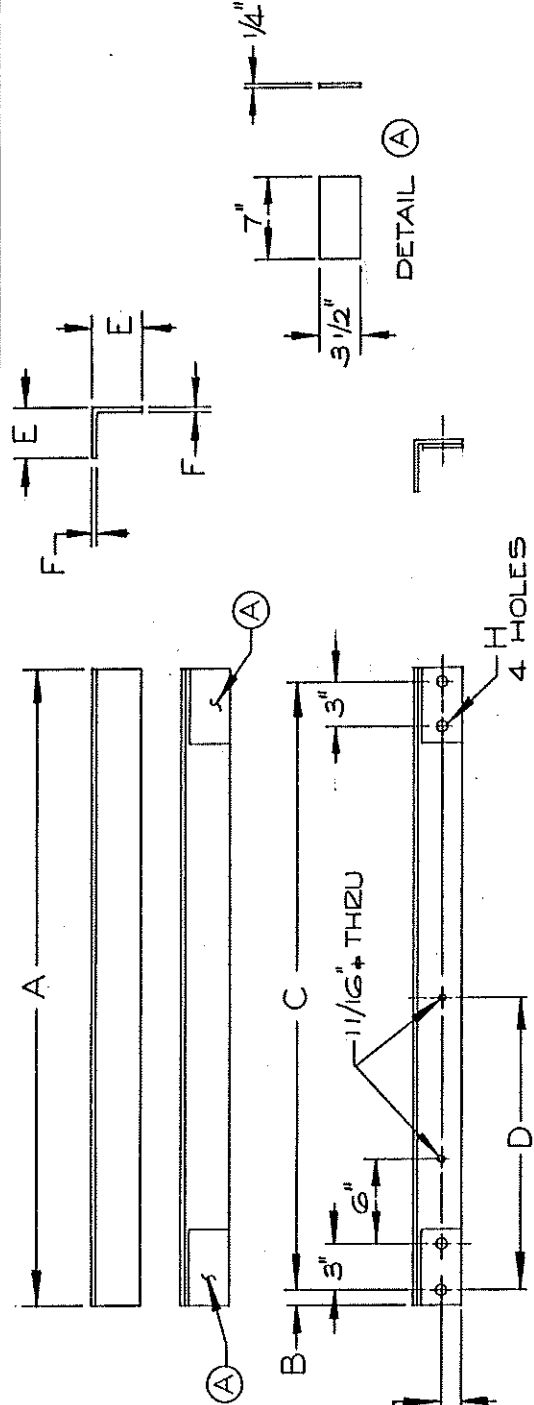


PART NUMBER	SEC. LOC.	A	B	C	D	E	F	G	H	WEIGHT
106232	MH-22	26'-4 1/2"	2"	26'-0 1/2"	12'-4 21/32"	5"	3/8"	2 1/2"	1 5/16"	328*
106233	MH-22	26'-4 1/2"	2"	26'-0 1/2"	12'-4 21/32"	6"	3/8"	3"	1 5/16"	398*
106234	MH-24	27'-10"	2"	27'-6"	13'-1 25/32"	5"	3/8"	2 1/2"	1 5/16"	345*
106235	MH-24	27'-10"	2"	27'-6"	13'-1 25/32"	6"	3/8"	3"	1 5/16"	419*
106236	MH-26	29'-4 1/4"	2"	29'-0 1/4"	13'-11 3/16"	5"	3/8"	2 1/2"	1 5/16"	365*
106237	MH-26	29'-4 1/4"	2"	29'-0 1/4"	13'-11 3/16"	6"	3/8"	3"	1 5/16"	440*
106238	MH-28	30'-11 3/16"	2"	30'-7 3/16"	14'-8 7/8"	5"	3/8"	2 1/2"	1 5/16"	384*
106239	MH-28	30'-11 3/16"	2"	30'-7 3/16"	14'-8 7/8"	6"	3/8"	3"	1 5/16"	464*
106240	MH-30	32'-6 1/16"	2"	32'-2 1/16"	15'-6 25/32"	5"	3/8"	2 1/2"	1 5/16"	404*
106241	MH-30	32'-6 1/16"	2"	32'-2 1/16"	15'-6 25/32"	6"	3/8"	3"	1 5/16"	489*
105664	MH-32	34'-2 21/32"	2"	33'-10 21/32"	16'-4 15/16"	5"	3/8"	2 1/2"	1 5/16"	425*
106242	MH-32	34'-2 21/32"	2"	33'-10 21/32"	16'-4 15/16"	6"	3/8"	3"	1 5/16"	513*
105665	MH-34	35'-11 1/16"	2"	35'-7 1/16"	17'-3 1/4"	5"	3/8"	2 1/2"	1 5/16"	450*
106243	MH-34	35'-11 1/16"	2"	35'-7 1/16"	17'-3 1/4"	6"	3/8"	3"	1 5/16"	539*
105666	MH-36	37'-7 13/16"	2"	37'-3 13/16"	18'-1 23/32"	5"	3/8"	2 1/2"	1 5/16"	470*
106244	MH-36	37'-7 13/16"	2"	37'-3 13/16"	18'-1 23/32"	6"	3/8"	3"	1 5/16"	565*
106245	MH-38	39'-4 7/8"	2"	39'-0 7/8"	19'-0 11/32"	5"	3/8"	2 1/2"	1 5/16"	468*
106667	MH-38	39'-4 7/8"	2"	39'-0 7/8"	19'-0 11/32"	6"	3/8"	3"	1 5/16"	590*
106246	MH-40	41'-2 3/16"	2"	40'-10 3/16"	19'-11 1/16"	5"	3/8"	2 1/2"	1 5/16"	510*
105668	MH-40	41'-2 3/16"	2"	40'-10 3/16"	19'-11 1/16"	6"	3/8"	3"	1 5/16"	620*

CHG LET	DESCRIPTION	DATE	REG. ENGINEER	SCALE	DWG. NO.
A	REDRAWN PINS & SHTS ADDED	4/22/88			105664-B
REVISIONS			REG. NO.		
NAME		BRACE		PART NO.	
DIAG. MH-22 THRU MH-50 (# 18 LEG SECTIONS)		PI-ROD, INC.		PLYMOUTH, INDIANA 46563	
APPROVED BY	DR BY	DATE			
	S. M. K. (Signature)	1/23/88			

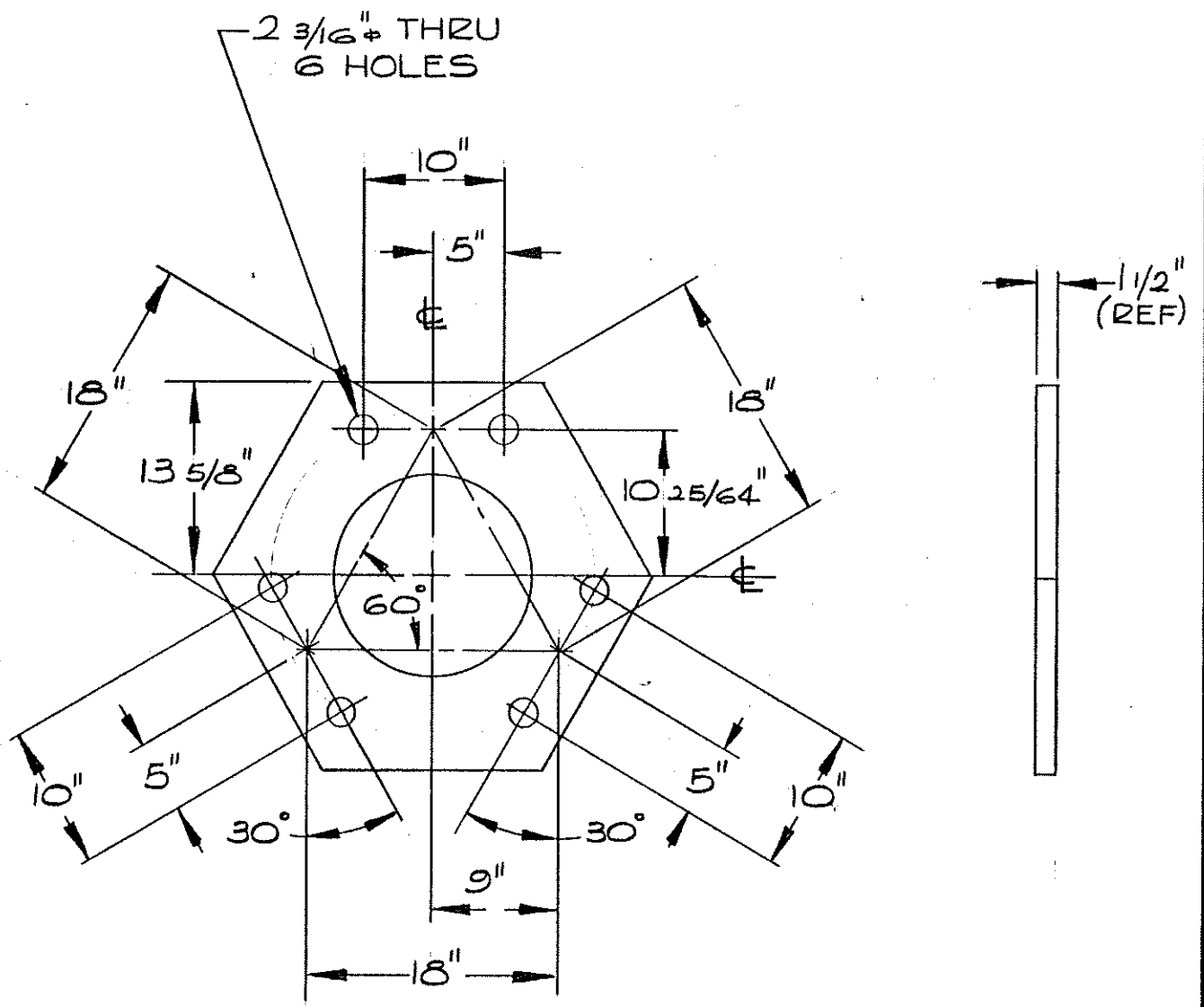
NOTE:
BRACE TO BE ASSEMBLED TO TOWER
WITH THE 3 HOLES AT TOP

MATERIAL:
A-36 STEEL ANGLE $\frac{1}{2}$ " PLATE



PART NUMBER	SEC. LOC.	A	B	C	D	E	F	G	H	WEIGHT
MH-42										
105669	MH-42	42'-11 3/4"	2"	42'-7 3/4"	20'-9 29/32"	6"	3/8"	3"	1 5/16"	631*
105670	MH-44	44'-9 17/32"	2"	44'-5 17/32"	21'-6 27/32"	6"	3/8"	3"	1 5/16"	671*
	MH-46									
106247	MH-46	46'-7 1/2"	2"	46'-3 1/2"	22'-7 7/8"	6"	3/8"	3"	1 5/16"	698*
	MH-48									
106248	MH-48	48'-5 5/8"	2"	48'-1 5/8"	23'-6 31/32"	6"	3/8"	3"	1 5/16"	726*
106249	MH-50	50'-3 7/8"	2"	49'-11 7/8"	24'-6 5/32"	6"	3/8"	3"	1 5/16"	754*

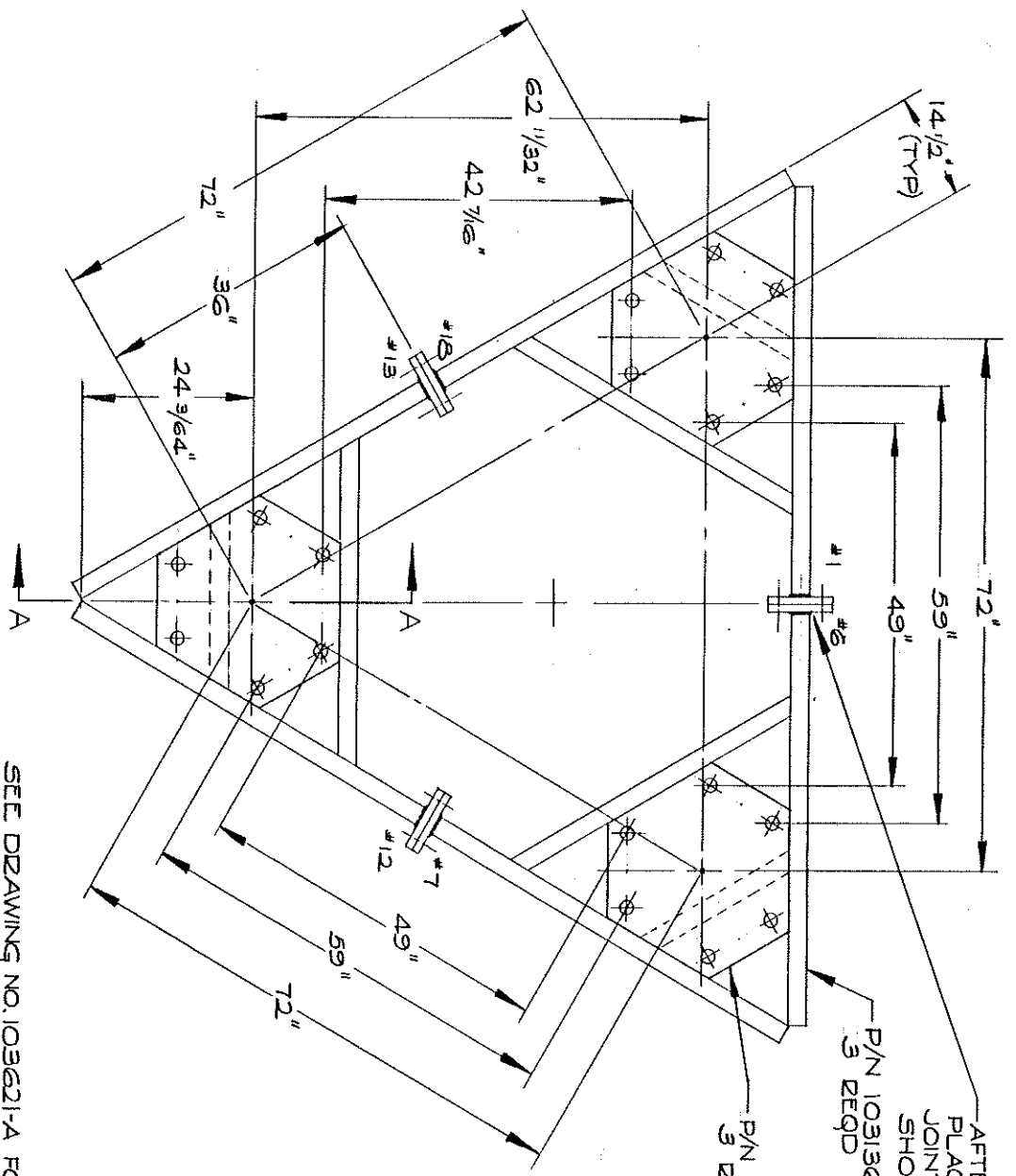
CHG LET	DESCRIPTION	DATE	APPROVED BY	DR BY	DATE	SCALE	REG. ENGINEER	REG. NO.	PART NO.
	REVISIONS			PI-ROD, INC.					
NAME BRACE DIAG. MH-22 THRU MH-50 (48 LEG SECTIONS)								PLYMOUTH, INDIANA 46563	
DWG. NO. 105664-B									



MATERIAL:
 MAKE FROM 105404 BLANK

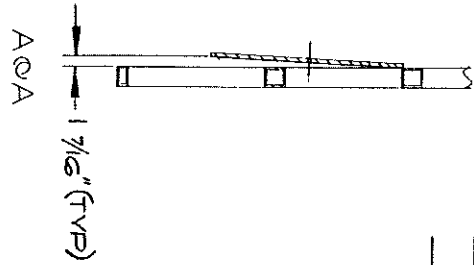
		PART NO. 105405	
NAME		PLATE ANCHOR BOLT	
APPROVED BY		DR BY	DATE
		<i>Sinkenbergs</i>	12/21/83
CHG LET	DESCRIPTION	DATE	
	REVISIONS		
REG. ENGINEER		SCALE	DWG. NO.
REG. NO.		1" = 1'-0"	105405-A
		PI-ROD, INC. PLYMOUTH, INDIANA 46563	

BRUNING 4 57251

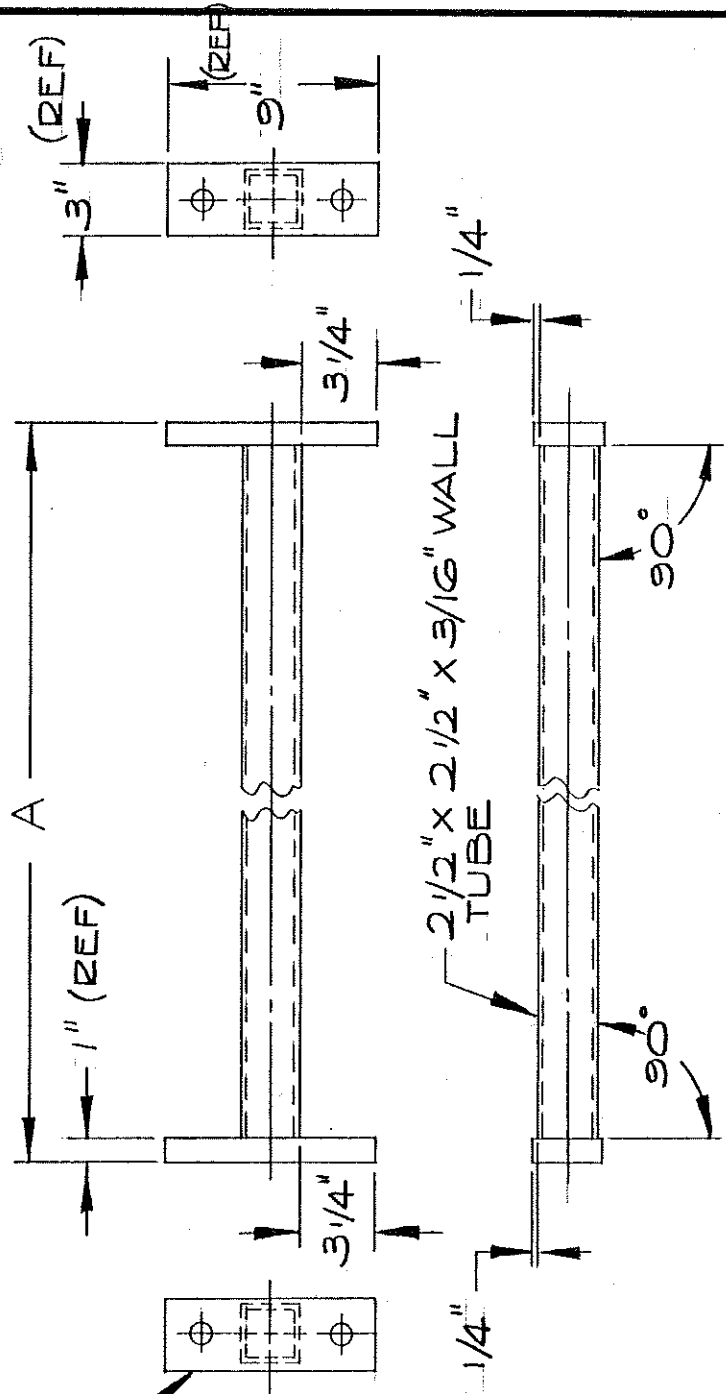


AFTER WELDING P/N'S 102158 IN PLACE TO DIMS SHOWN - MARK EACH JOINT WITH IDENTIFICATION NO. SHOWN

SEE DRAWING NO. 103621-A FOR COMPLETE TEMPLATE ASSY



#18 LEG SEC.		PART NO.	
NAME TEMPLATE BASE		PI-ROD, INC. PLYMOUTH, INDIANA 46563	
APPROVED BY	DR BY <i>[Signature]</i>	DATE 8/9/52	DWG. NO. 103620-B
REG. ENGINEER	SCALE 3/4" = 1'-0"		
REG. NO.			
CHG LET	DESCRIPTION	DATE	REVISIONS



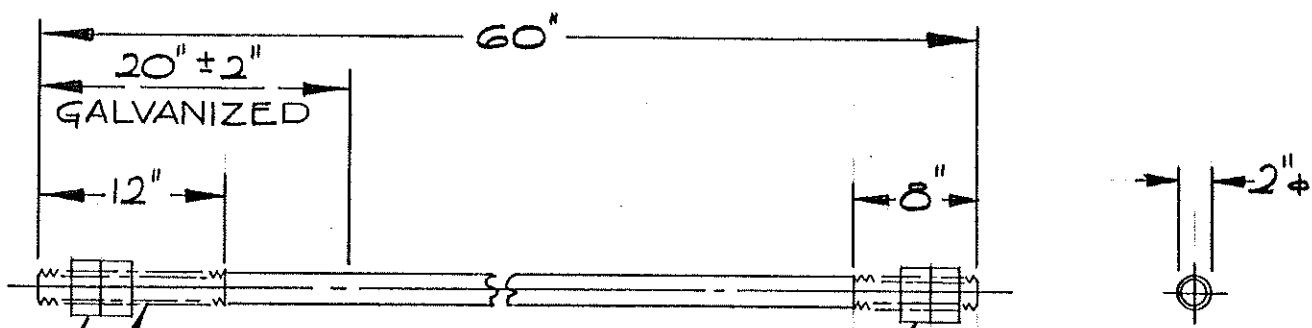
PART NUMBER	A	WEIGHT
104352	13'-0"	93.5#
104353	14'-0"	98.5#
104354	15'-0"	105#
104355	16'-0"	110.5#
104356	17'-0"	116#
104357	18'-0"	121.5#
104358	19'-0"	127#
104359	20'-0"	132.5#
104360	21'-0"	138#
104361	22'-0"	143.5#
105429	11'-0"	76.3#

103134
2 REQD

CHG LET	DESCRIPTION	DATE
A	105429 ADDED	1/9/84 DJR

NAME LEG BASE TEMPLATE	
APPROVED BY	DR BY DATE
REG. ENGINEER	<i>Zinkenberg</i> 2/23/83
REG. NO.	SCALE

PART NO.	
PI-ROD, INC.	
PLYMOUTH, INDIANA 46563	
DWG. NO.	104352-A



TWO NUTS

2.000" - 4 1/2 UNC 2A THD (THDS. MAY BE CUT OR ROLLED)

TWO NUTS, TWO WASHERS & ONE LOCKWASHER

WEIGHT = 53.4# (LESS NUTS & WASHERS)

MATERIAL:

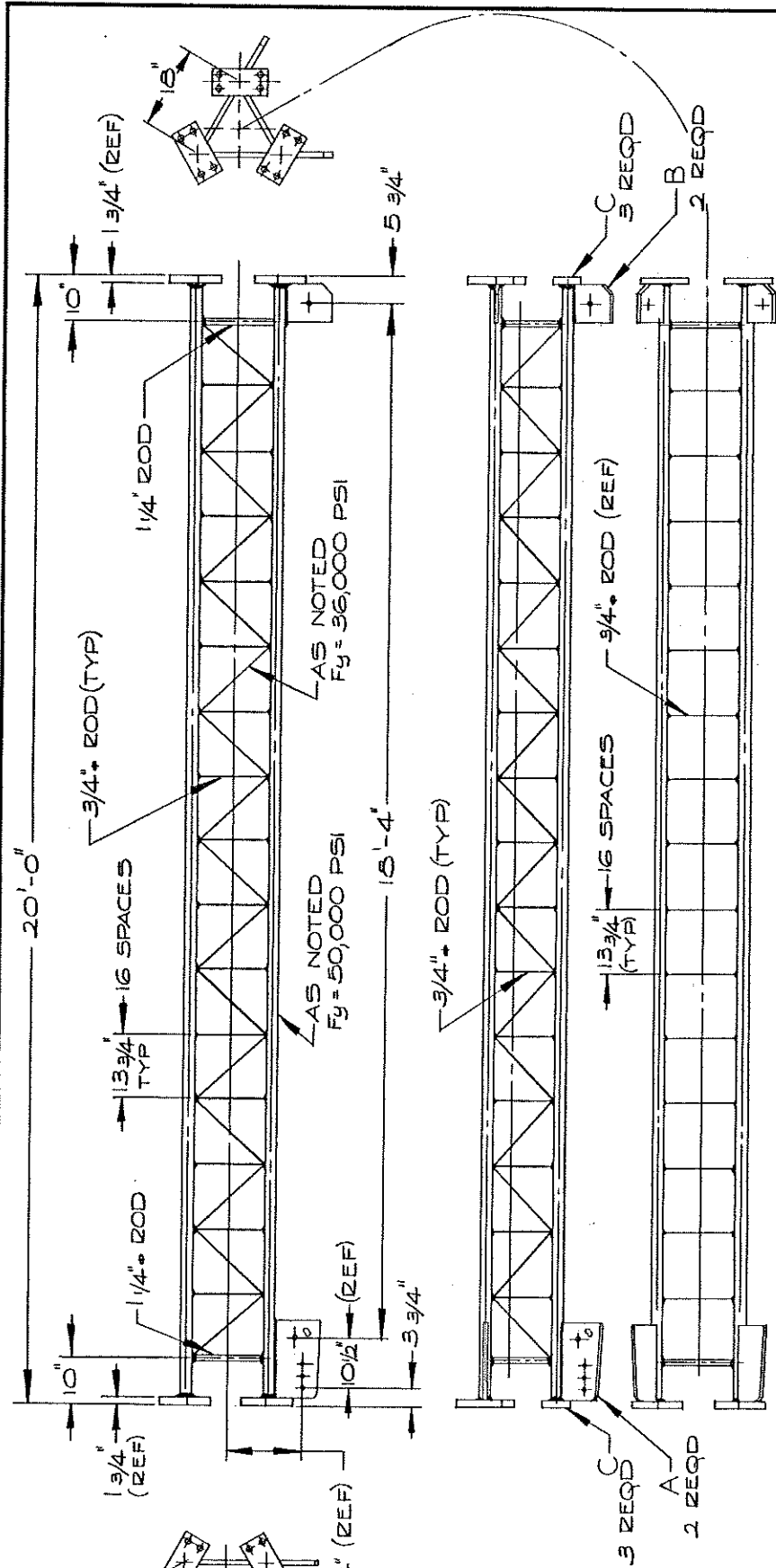
A-36M55 STEEL HIGH STRENGTH LOW CARBON
 MIN. YIELD STRENGTH - 55 KSI
 MAX. TENSIL STRENGTH - 95 KSI
 MIN. ELONGATION - 18%

GALVANIZE: ASTM-A153

NUTS: ASTM A307. ANSI B 18.2.2.

BRUNING 4 57251

		PART NO. 105406	
NAME		BOLT ANCHOR	
APPROVED BY		DR BY	DATE
		<i>Zinkenberg</i>	12/21/83
CHG LET	DESCRIPTION	DATE	REG. ENGINEER
	REVISIONS		REG. NO.
		SCALE	1" = 1'-0"
		OWG. NO.	105406-A
		PI-ROD, INC.	
		PLYMOUTH, INDIANA 46563	



PART NUMBER	LEG DIA	BRACE DIA	A	B	C	WEIGHT
105656	2 1/2"	3/4"	105650	105653	101990	1600 #
105657	2 3/4"	3/4"	105651	105654	101990	1810 #
105658	3"	3/4"	105652	105655	101990	2030 #
107017	2"	3/4"	107026	107024	101990	1160 #
107018	2 1/4"	3/4"	107027	107025	101990	1325 #

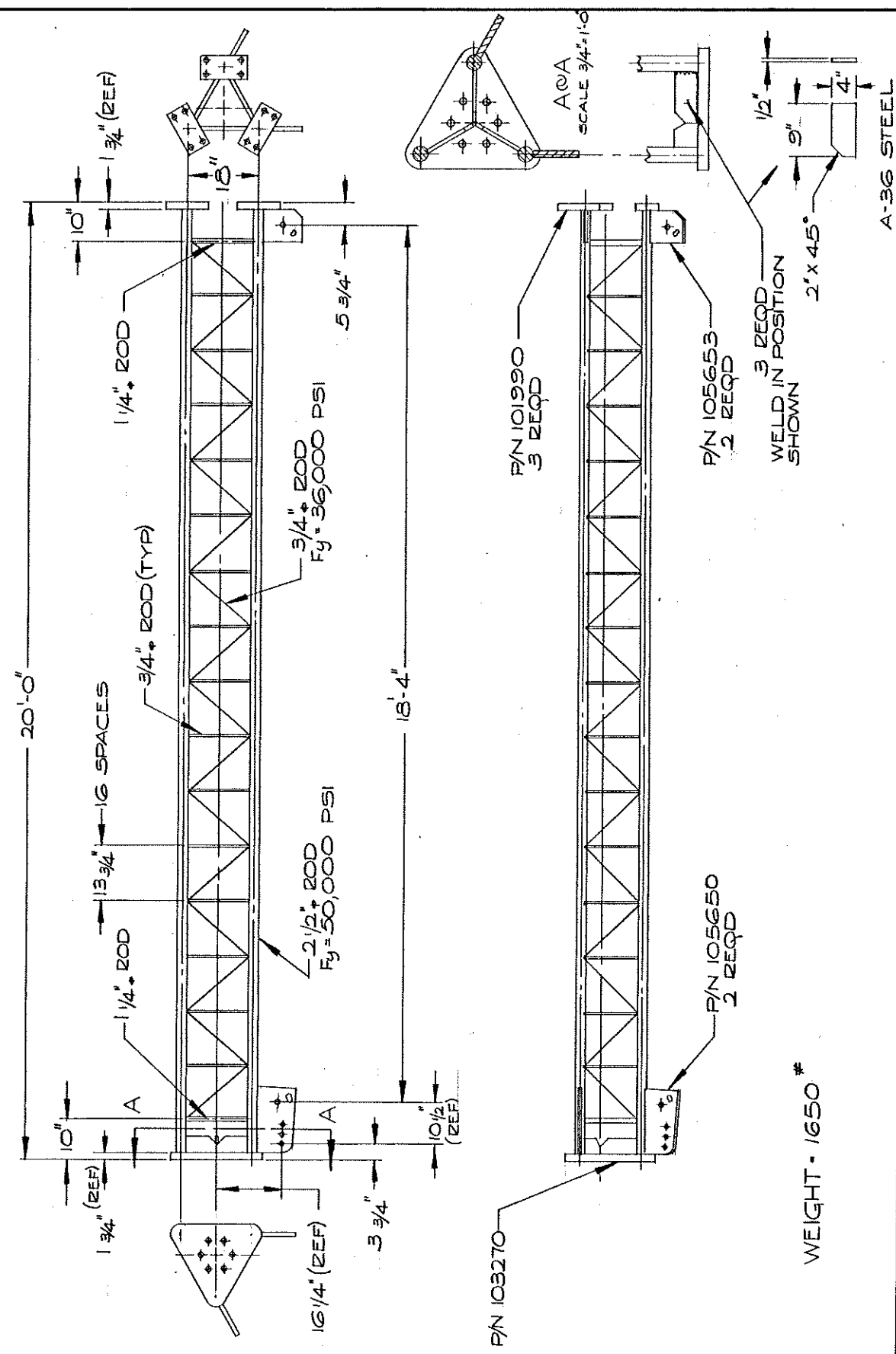
CHG LET	DESCRIPTION	DATE	REG. ENGINEER	REG. NO.	SCALE	DWG. NO.
B	3 RD VIEW ADDED	3/2/85				
A	107017 & 107018 ADDED	1/16/85				
REVISIONS			REG. ENGINEER	REG. NO.	SCALE	DWG. NO.
					1/2" = 1'-0"	105656-B

2", 2 1/4", 2 1/2", 2 3/4", & 3" LEG

NAME # 18 SECTION
MODEL MH

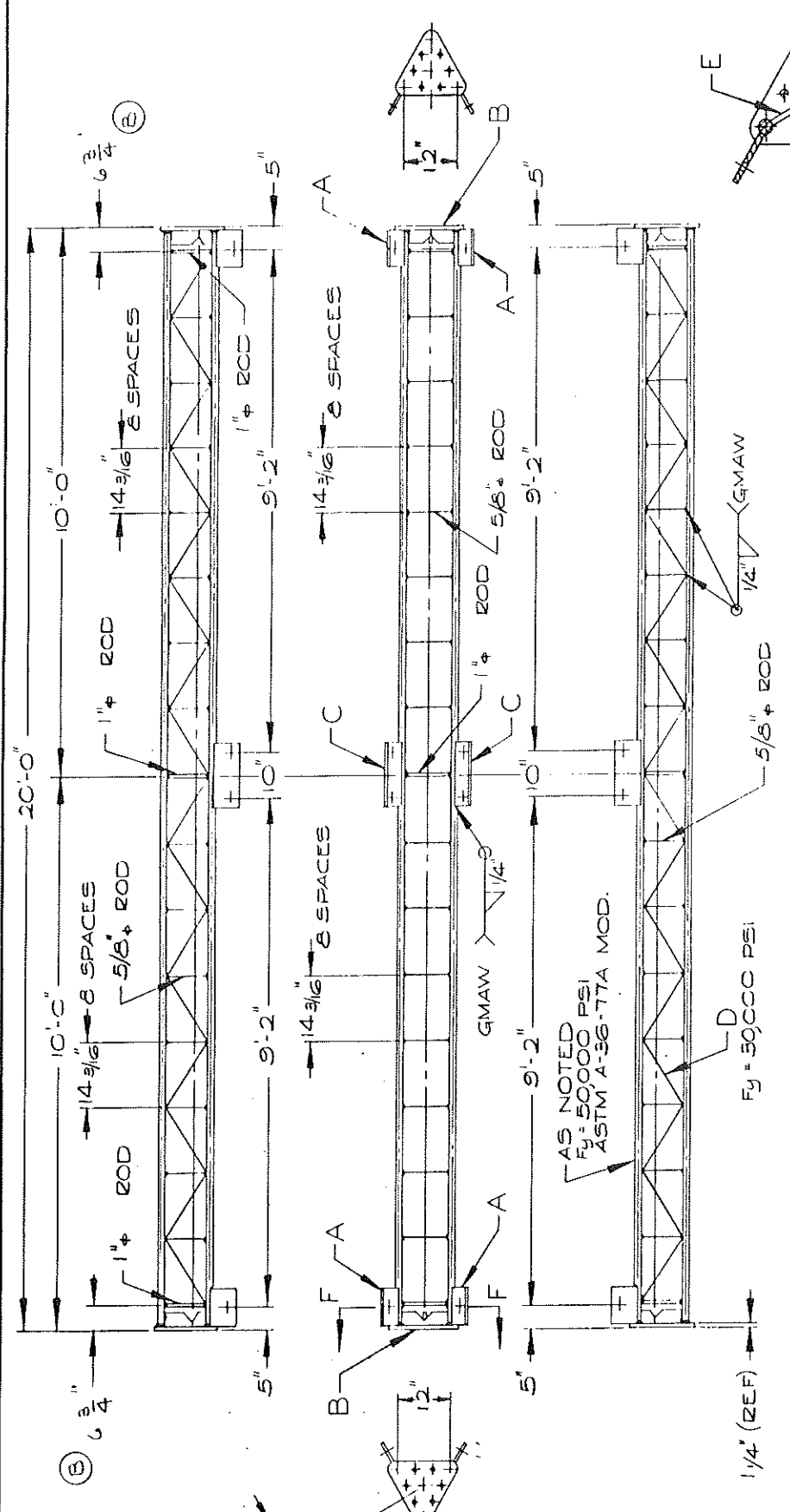
PI-ROD, INC.
PLYMOUTH, INDIANA 46563

PART NO.



WEIGHT - 1650 #

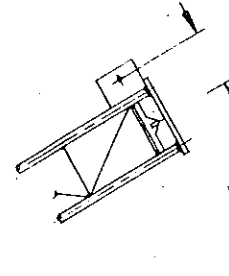
A		REVISED	12/26/84	NAME# 18 LEG SEC.		PART NO. 103271	
CHG LET		DESCRIPTION	DATE	MODEL MH		PI-ROD, INC.	
				(2 1/2" LEG)		PLYMOUTH, INDIANA 46563	
				APPROVED BY	DR BY	DATE	
					<i>Frankenberg</i>	<i>5/5/82</i>	
REVISIONS				REG. ENGINEER	SCALE	DWG. NO.	
					1/2" = 1'-0"	103271-B	



SECTION PART NO.	LEG DIA	A PART NO.	B PART NO.	C PART NO.	D ROD DIA	E PART NO.	WEIGHT
105219	2"	105225	100848	105231	5/8"	103504	900#
105220	2 1/4"	105226	100848	105232	5/8"	103505	1090#
105635	1 1/2"	105547	100843	105550	1/2"	103520	580#
105636	1 3/4"	105548	100843	105551	1/2"	103503	710#

NOTES:
 ① WELDING WIRE PER AWS A5.18 ERTCS-3
 ② ALL WELDERS MUST BE QUALIFIED IN ACCORDANCE WITH ASME SECTION IX

NAME #12 LEG SECTION 20'-0" LONG MODEL "U"		PART NO PI-ROD, INC. PLYMOUTH, INDIANA 48863	
CHG LET DESCRIPTION DATE	REVISIONS	APPROVED BY <i>[Signature]</i> REG. ENGINEER DATE 1/2/84	DWG. NO 105219-B

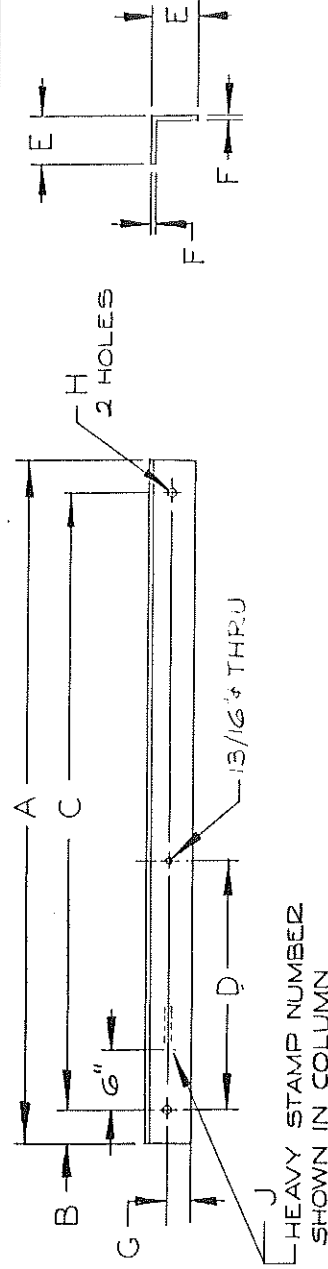


2" x 2 1/4" LEGS

12 1/4" (TYP)

NOTE:
ASSEMBLE BRACE TO TOWER
WITH NUMBER END AT TOP

MATERIAL:
A-36 STEEL ANGLE

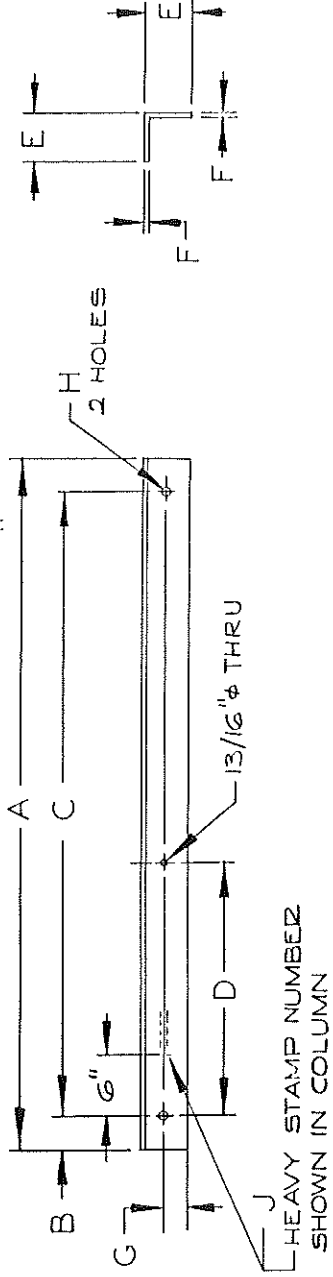


SECTION NUMBER & LENGTH	BRACE LOCATION NUMBER	A	B	C	D	E	F	G	H	J	WEIGHT
U-6 20'-0"	U-5 UPPER HALF 10'-0"	9'-10 9/16"	2"	9'-6 9/16"	3'-11 19/32"	2 1/2"	3/16"	1 1/8"	1/16	105898	30.3#
	U-5 LOWER HALF 10'-0"	9'-10 9/16"	2"	9'-6 9/16"	3'-11 19/32"	3"	3/16"	1 1/8"	1/16	105899	36.6#
	U-5 UPPER HALF 10'-0"	9'-10 9/16"	2"	9'-6 9/16"	3'-11 19/32"	3"	5/16"	1 1/8"	1/16	105900	60.3#
U-8 20'-0"	U-6 UPPER HALF 10'-0"	10'-2 17/32"	2"	9'-10 17/32"	4'-3 15/16"	2 1/2"	3/16"	1 1/8"	1/16	105556	31.3#
	U-6 LOWER HALF 10'-0"	10'-2 17/32"	2"	9'-10 17/32"	4'-3 15/16"	3"	3/16"	1 1/8"	1/16	105557	37.9#
	U-6 UPPER HALF 10'-0"	10'-2 17/32"	2"	9'-10 17/32"	4'-3 15/16"	3"	5/16"	1 1/8"	1/16	105901	62.3#
U-8 20'-0"	U-7 UPPER HALF 10'-0"	10'-7 9/16"	2"	10'-3 9/16"	4'-7 3/4"	2 1/2"	3/16"	1 1/8"	1/16	105558	32.4#
	U-7 LOWER HALF 10'-0"	10'-7 9/16"	2"	10'-3 9/16"	4'-7 3/4"	3"	3/16"	1 1/8"	1/16	105559	39.4#
	U-7 UPPER HALF 10'-0"	10'-7 9/16"	2"	10'-3 9/16"	4'-7 3/4"	3"	5/16"	1 1/8"	1/16	105560	64.3#
U-10 20'-0"	U-8 UPPER HALF 10'-0"	11'-1 15/32"	2"	10'-9 15/32"	4'-11 17/32"	2 1/2"	3/16"	1 1/8"	1/16	105561	33.9#
	U-8 LOWER HALF 10'-0"	11'-1 15/32"	2"	10'-9 15/32"	4'-11 17/32"	3"	3/16"	1 1/8"	1/16	105562	41.3#
	U-8 UPPER HALF 10'-0"	11'-1 15/32"	2"	10'-9 15/32"	4'-11 17/32"	3"	5/16"	1 1/8"	1/16	105563	67.3#
U-10 20'-0"	U-9 UPPER HALF 10'-0"	11'-8 7/32"	2"	11'-4 7/32"	5'-3 15/32"	2 1/2"	3/16"	1 1/8"	1/16	105564	35.6#
	U-9 LOWER HALF 10'-0"	11'-8 7/32"	2"	11'-4 7/32"	5'-3 15/32"	3"	3/16"	1 1/8"	1/16	105565	43.4#
	U-9 UPPER HALF 10'-0"	11'-8 7/32"	2"	11'-4 7/32"	5'-3 15/32"	3"	5/16"	1 1/8"	1/16	105566	70.8#
U-10 20'-0"	U-10 UPPER HALF 10'-0"	12'-3 5/8"	2"	11'-11 5/8"	5'-7 9/16"	2 1/2"	3/16"	1 1/8"	1/16	105567	37.5#
	U-10 LOWER HALF 10'-0"	12'-3 5/8"	2"	11'-11 5/8"	5'-7 9/16"	3"	3/16"	1 1/8"	1/16	105568	45.16#
	U-10 UPPER HALF 10'-0"	12'-3 5/8"	2"	11'-11 5/8"	5'-7 9/16"	3"	5/16"	1 1/8"	1/16	105569	74.5#

CHG LET		DESCRIPTION		DATE	REG. ENGINEER		SCALE		DWG. NO.	
A	REVISED	4	REDRAWN	3/20/84	REG. NO.		SCALE		105556-B	
NAME					PART NO.					
BRACE ANGLE					PI-ROD, INC.					
MODEL "U"					PLYMOUTH, INDIANA 46563					

NOTE:
ASSEMBLE BRACE TO TOWER
WITH NUMBER END AT TOP

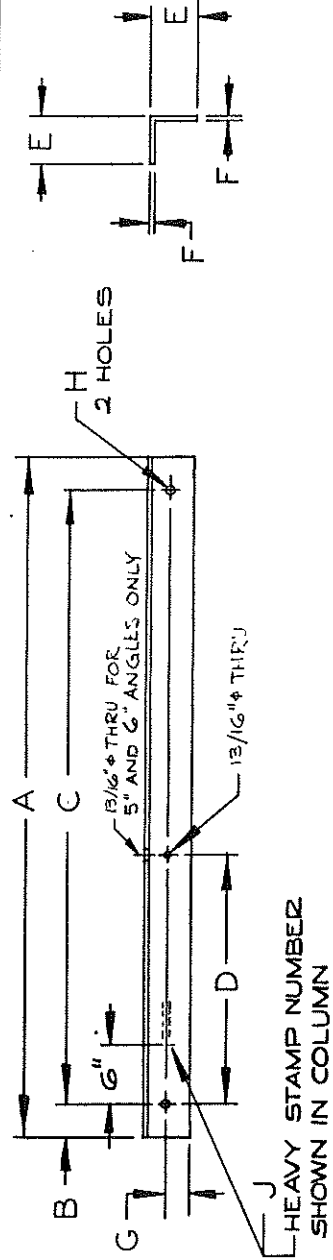
MATERIAL:
A-36 STEEL ANGLE



SECTION NUMBER & LENGTH	BRACE LOCATION	PART NUMBER	A	B	C	D	E	F	G	H	J	WEIGHT
U-12 20'-0"	U-11 UPPER HALF 10'-0"	105570	12'-11 21/32"	2"	12'-7 21/32"	5'-11 27/32"	2 1/2"	3/16"	1 1/8"	1 1/16"	105570	39.6#
		105571	12'-11 21/32"	2"	12'-7 21/32"	5'-11 27/32"	3"	3/16"	1 1/4"	1 1/16"	105571	47.8#
		105572	12'-11 21/32"	2"	12'-7 21/32"	5'-11 27/32"	3"	5/16"	1 1/4"	1 1/16"	105572	78.6#
U-13 20'-0"	U-12 LOWER HALF 10'-0"	105573	13'-8 5/32"	2"	13'-4 5/32"	6'-4 9/32"	2 1/2"	3/16"	1 1/8"	1 1/16"	105573	41.7#
		105574	13'-8 5/32"	2"	13'-4 5/32"	6'-4 9/32"	3"	3/16"	1 1/8"	1 1/16"	105574	50.4#
		105575	13'-8 5/32"	2"	13'-4 5/32"	6'-4 9/32"	3"	5/16"	1 1/8"	1 1/16"	105575	82.9#
U-14 20'-0"	U-13 UPPER HALF 10'-0"	105576	14'-5 3/32"	2"	14'-1 3/32"	6'-8 15/16"	3"	3/16"	1 1/4"	1 1/16"	105576	53.5#
		105577	14'-5 3/32"	2"	14'-1 3/32"	6'-8 15/16"	3"	5/16"	1 1/4"	1 1/16"	105577	88.0#
		105578	14'-5 3/32"	2"	14'-1 3/32"	6'-8 15/16"	3 1/2"	5/16"	1 3/4"	1 1/16"	105578	103.8#
U-15 20'-0"	U-14 LOWER HALF 10'-0"	105579	15'-2 3/8"	2"	14'-10 3/8"	7'-1 11/16"	3"	3/16"	1 1/4"	1 1/16"	105579	56.4#
		105580	15'-2 3/8"	2"	14'-10 3/8"	7'-1 11/16"	3"	5/16"	1 1/4"	1 1/16"	105580	92.7#
		105581	15'-2 3/8"	2"	14'-10 3/8"	7'-1 11/16"	3 1/2"	5/16"	1 3/4"	1 1/16"	105581	109.4#
U-16 20'-0"	U-15 UPPER HALF 10'-0"	105582	15'-11 31/32"	2"	15'-7 31/32"	7'-6 19/32"	3"	3/16"	1 1/4"	1 1/16"	105582	59.0#
		105583	15'-11 31/32"	2"	15'-7 31/32"	7'-6 19/32"	3"	5/16"	1 1/4"	1 1/16"	105583	97.1#
		105584	15'-11 31/32"	2"	15'-7 31/32"	7'-6 19/32"	4"	1/4"	2"	1 1/16"	105584	105.0#
U-16 20'-0"	U-16 LOWER HALF 10'-0"	105585	15'-11 31/32"	2"	15'-7 31/32"	7'-6 19/32"	4"	3/8"	2"	1 1/16"	105585	156.0#
		105586									105586	
		105587	16'-9 27/32"	2"	16'-5 27/32"	7'-11 5/8"	3"	3/16"	1 1/4"	1 1/16"	105587	62.1#
U-16 20'-0"	U-16 LOWER HALF 10'-0"	105588	16'-9 27/32"	2"	16'-5 27/32"	7'-11 5/8"	3"	5/16"	1 1/4"	1 1/16"	105588	102.1#
		105589	16'-9 27/32"	2"	16'-5 27/32"	7'-11 5/8"	4"	1/4"	2"	1 1/16"	105589	111.0#
		105590	16'-9 27/32"	2"	16'-5 27/32"	7'-11 5/8"	4"	3/8"	2"	1 1/16"	105590	164.8#
U-16 20'-0"		105591								105591		

CHG LET		DESCRIPTION		DATE	NAME		BRACE ANGLE MODEL "U"		PART NO.	
A	REVISED & REDRAWN	3/28/84			PI-ROD, INC.					
APPROVED BY		DR BY		DATE	PLYMOUTH, INDIANA 46563					
REG. ENGINEER		SCALE			DRG. NO.		105556-B			
REG. NO.					SHEET 2 OF 5					

NOTE:
ASSEMBLE BRACE TO TOWER
WITH NUMBER END AT TOP



MATERIAL:
A-36 STEEL ANGLE

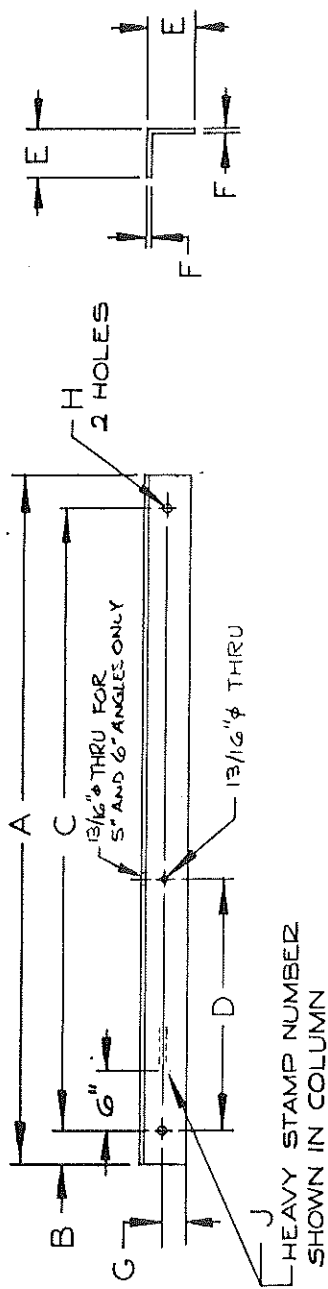
HEAVY STAMP NUMBER
SHOWN IN COLUMN

SECTION NUMBER & LENGTH	BRACE LOCATION	PART NUMBER	A	B	C	D	E	F	G	H	J	WEIGHT
U-20 20'-0"	U-19 UPPER HALF 10'-0"	105598	19'-3 1/32"	2 1/2	18'-10 1/32"	9'-1 7/8"	3 1/2	5/16"	3/4"	5/16"	105598	138.6#
		105599	19'-3 1/32"	2 1/2	18'-10 1/32"	9'-1 7/8"	4"	1/4"	2"	5/16"	105599	127.0#
		105600	19'-3 1/32"	2 1/2	18'-10 1/32"	9'-1 7/8"	4"	3/8"	2"	5/16"	105600	188.6#
		106217	19'-3 1/32"	2 1/2	18'-10 1/32"	9'-1 7/8"	5"	3/8"	2 1/2"	5/16"	106217	236.8#
		105601	20'-1 9/32"	2 1/2	19'-8 9/32"	9'-7 3/16"	3 1/2	5/16"	3/4"	5/16"	105601	145.2#
		105602	20'-1 9/32"	2 1/2	19'-8 9/32"	9'-7 3/16"	4"	1/4"	2"	5/16"	105602	133.1#
U-22 20'-0"	U-21 UPPER HALF 10'-0"	105603	20'-1 9/32"	2 1/2	19'-8 9/32"	9'-7 3/16"	4"	3/8"	2"	5/16"	105603	197.6#
		106218	20'-1 9/32"	2 1/2	19'-8 9/32"	9'-7 3/16"	5"	3/8"	2 1/2"	5/16"	106218	247.6#
		105604	21'-0 9/32"	2 1/2	20'-7 9/32"	10'-0 9/16"	4"	1/4"	2"	5/16"	105604	138.6#
		105605	21'-0 9/32"	2 1/2	20'-7 9/32"	10'-0 9/16"	4"	3/8"	2"	5/16"	105605	205.8#
		105606	21'-0 9/32"	2 1/2	20'-7 9/32"	10'-0 9/16"	5"	3/8"	2 1/2"	5/16"	105606	258.3#
		105607	21'-11 3/32"	2 1/2	21'-6 3/32"	10'-6"	4"	1/4"	2"	5/16"	105607	144.6#
U-24 20'-0"	U-22 LOWER HALF 10'-0"	105608	21'-11 3/32"	2 1/2	21'-6 3/32"	10'-6"	4"	3/8"	2"	5/16"	105608	214.8#
		105609	21'-11 3/32"	2 1/2	21'-6 3/32"	10'-6"	5"	3/8"	2 1/2"	5/16"	105609	270.6#
		105610	22'-10"	2 1/2	22'-5"	10'-11 15/32"	4"	3/8"	2"	5/16"	105610	223.8#
		105611	22'-10"	2 1/2	22'-5"	10'-11 15/32"	5"	3/8"	2 1/2"	5/16"	105611	280.8#
		105612	MOVED TO DRAWING #106135-B									
		U-24 LOWER HALF 10'-0"	105613	23'-9"	2 1/2	23'-4"	11'-5"	4"	3/8"	2"	5/16"	105613
		105614	23'-9"	2 1/2	23'-4"	11'-5"	5"	3/8"	2 1/2"	5/16"	105614	292.1#
		105615	MOVED TO DRAWING #106135-B									

REVISED		DATE		NAME		PART NO.	
REVISIONS		DATE		BRACE ANGLE MODEL "U"		PI-ROD, INC.	
DESCRIPTION		DATE		APPROVED BY		PLYMOUTH, INDIANA 46563	
REG. ENGINEER		SCALE		DR BY		DWG. NO.	
REG. NO.		SCALE		KEB 5/29/84		105556-B	
						SHEET 4 OF 5	

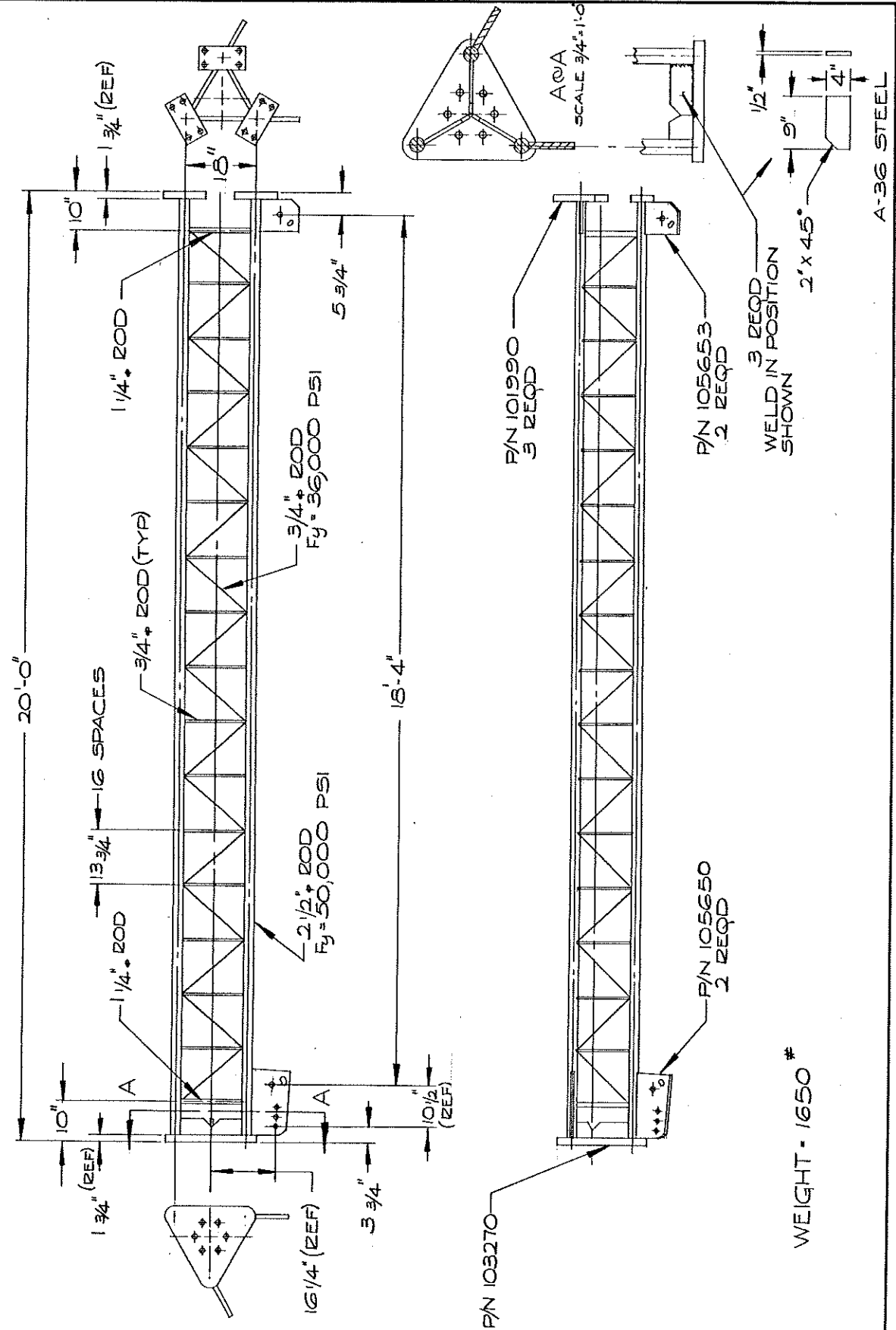
NOTE:
ASSEMBLE BRACE TO TOWER
WITH NUMBER END AT TOP

MATERIAL:
A-36 STEEL ANGLE



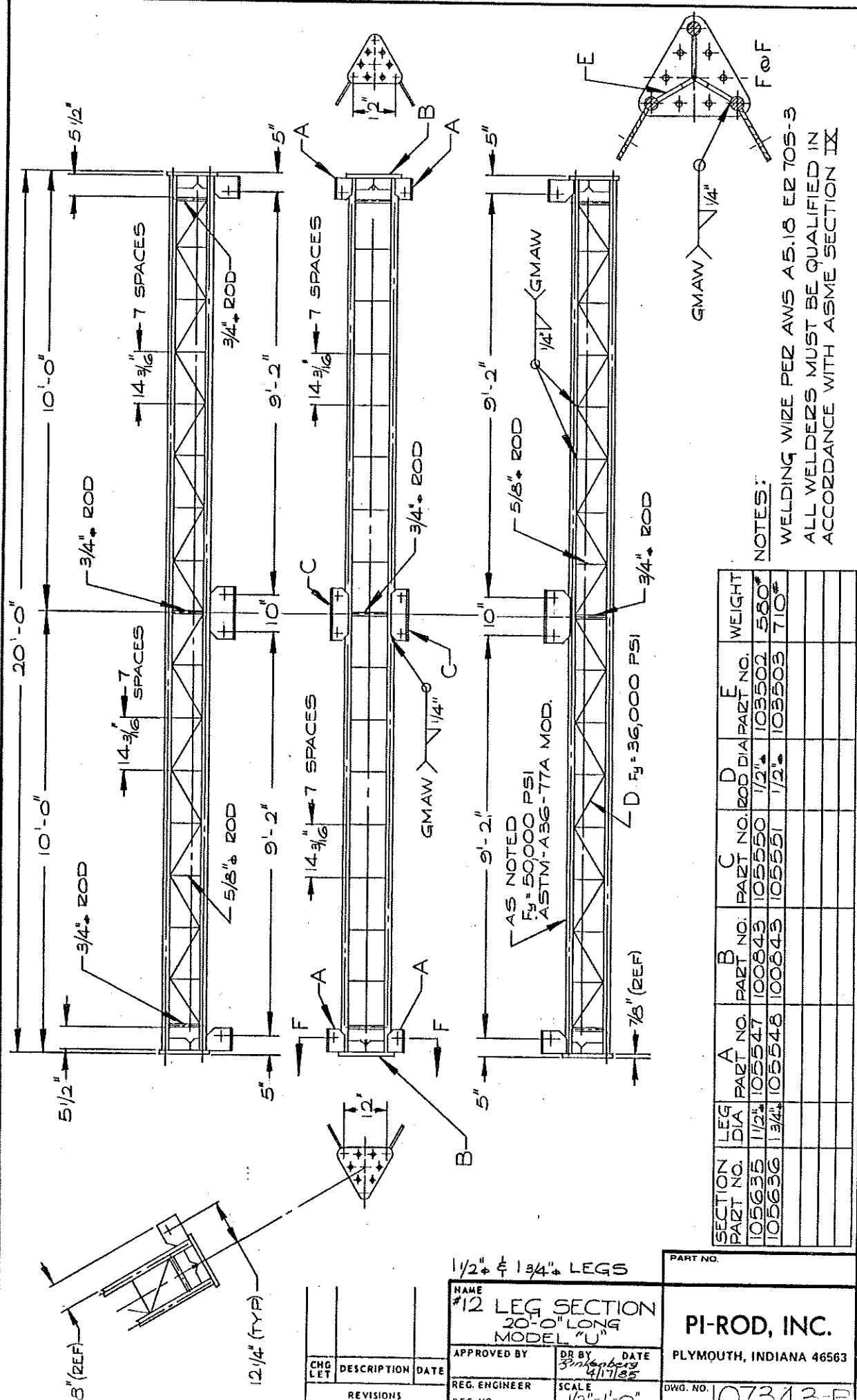
SECTION NUMBER & LENGTH	BRACE LOCATION NUMBER	A	B	C	D	E	F	G	H	J	WEIGHT
U-26 20'-0"	U-25 UPPER HALF 10'-0"	24'-8 1/16"	2 1/2"	24'-3 1/16"	11'-10 9/16"	5'	3/8"	2 1/2"	1 5/16"	105616	303.4#
	U-26 LOWER HALF 10'-0"	MOVED TO DRAWING #106135-B									
U-28 20'-0"	U-26 UPPER HALF 10'-0"	25'-7 7/32"	2 1/2"	25'-2 7/32"	12'-4 5/32"	5'	3/8"	2 1/2"	1 5/16"	105618	314.7#
	U-27 UPPER HALF 10'-0"	MOVED TO DRAWING #106135-B									
	U-27 LOWER HALF 10'-0"	26'-6 13/32"	2 1/2"	26'-11 13/32"	12'-9 25/32"	5'	3/8"	2 1/2"	1 5/16"	105620	325.9#
	U-28 UPPER HALF 10'-0"	MOVED TO DRAWING #106135-B									
U-30 20'-0"	U-28 UPPER HALF 10'-0"	26'-6 13/32"	2 1/2"	26'-11 13/32"	12'-9 25/32"	6"	1/2"	3"	1 5/16"	105622	519.4#
	U-29 UPPER HALF 10'-0"	27'-5 1/16"	2 1/2"	27'-0 1/16"	13'-3 17/32"	5"	3/8"	2 1/2"	1 5/16"	105623	337.7#
	U-29 LOWER HALF 10'-0"	MOVED TO DRAWING #106135-B									
	U-30 UPPER HALF 10'-0"	27'-5 1/16"	2 1/2"	27'-0 1/16"	13'-3 17/32"	6"	1/2"	3"	1 5/16"	105625	538.2#
U-30 20'-0"	U-29 UPPER HALF 10'-0"	28'-5"	2 1/2"	28'-0"	13'-9 3/32"	6"	3/8"	3"	1 5/16"	105626	423.4#
	U-29 LOWER HALF 10'-0"	MOVED TO DRAWING #106135-B									
	U-30 UPPER HALF 10'-0"	28'-5"	2 1/2"	28'-0"	13'-9 3/32"	6"	1/2"	3"	1 5/16"	105627	557.0#
	U-30 LOWER HALF 10'-0"	29'-4 3/8"	2 1/2"	28'-11 3/8"	14'-2 25/32"	6"	3/8"	3"	1 5/16"	105628	437.5#
		29'-4 3/8"	2 1/2"	28'-11 3/8"	14'-2 25/32"	6"	1/2"	3"	1 5/16"	105629	575.5#

A		REVISED & REDRAWN	5/21/84	NAME BRACE ANGLE MODEL "U"		PART NO.	
CHG BY	DESCRIPTION	DATE	APPROVED BY	DR BY	DATE	PI-ROD, INC.	
				VEE	5/29/84	PLYMOUTH, INDIANA 46583	
REVISIONS			REG. ENGINEER	SCALE	DWG. NO.	105556-B	
			REG. NO.			SHEET 5 OF 5	



WEIGHT - 1650 #

A		REVISED	12/3/64	NAME# 18 LEG SEC.		PART NO. 103271	
CHG LET		DESCRIPTION	DATE	MODEL MH		PI-ROD, INC.	
				(2 1/2" LEG)		PLYMOUTH, INDIANA 46563	
				APPROVED BY	DR BY	DATE	
					<i>Spink</i>	<i>5/2/82</i>	
		REVISIONS		REG. ENGINEER	SCALE	DWG. NO.	103271-B
				REG. NO.	1/2" = 1'-0"		



NOTES:
 WELDING WIRE PER AWS A5.18 E2 705-3
 ALL WELDERS MUST BE QUALIFIED IN
 ACCORDANCE WITH ASME SECTION IX

SECTION PART NO.	LEG DIA	A PART NO.	B PART NO.	C PART NO.	D PART NO.	E PART NO.	WEIGHT
105635	1 1/2"	105547	100643	105550	1/2"	103502	580
105636	1 3/4"	105548	100643	105551	1/2"	103503	710

CHG LET		DESCRIPTION	DATE	APPROVED BY	DR BY	DATE
		REVISIONS		REG. ENGINEER	SCALE	DATE
				REG. NO.	1/2" = 1'-0"	4/17/22

NAME: #12 LEG SECTION
 20'-0" LONG
 MODEL "U"

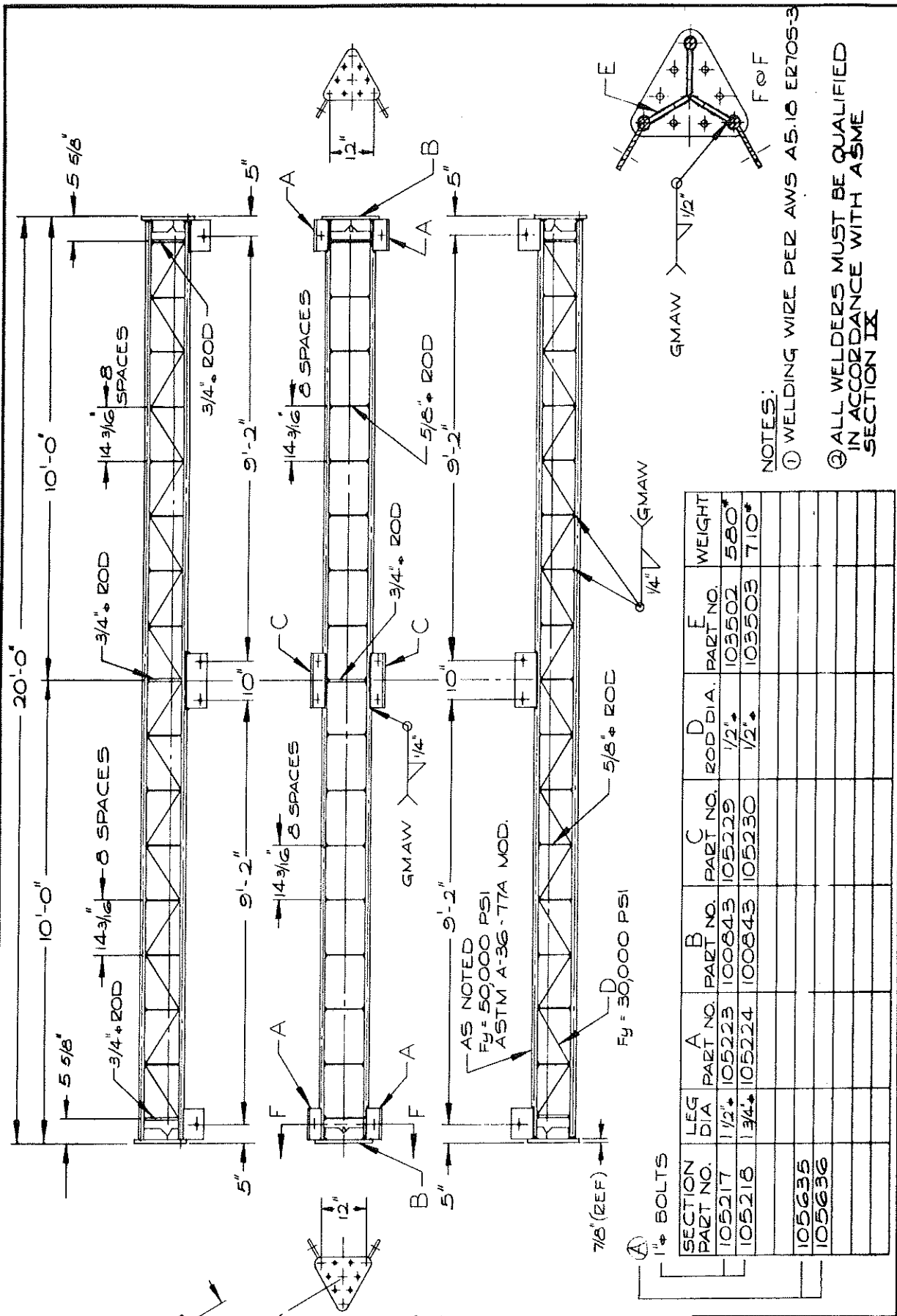
1/2" & 1 3/4" LEGS

PART NO. PI-ROD, INC.
 PLYMOUTH, INDIANA 46563

DWG. NO. 107312-P

13-MAR-85 09:24:24

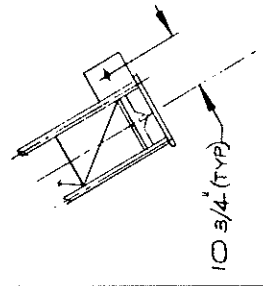
QUANTITY:	PART #	DRAWING#:	DESCRIPTION
+ EXTRAS:	:	:	:
:	:	:	TAPER 60-- 54 BOTTOM HT.=410 SECTION H-5.0
:	:	:	PAINT B 10' WHITE, TOP 10' ORANGE
1	100247	100247-A	FABRICATED SECTION--2.250 LEGS 0.875 DIAGONALS
15 + 1	3/4 X 5	:	A-325 BOLTS W/ LOCKNUTS --LEG CONNECTION
:	:	:	:
:	:	:	:
:	:	:	:
:	:	:	:
:	:	:	:
:	:	:	TAPER 54-- 48 BOTTOM HT.=430 SECTION H-4.5
:	:	:	PAINT ALL ORANGE
1	100246	100246-A	FABRICATED SECTION--2.000 LEGS 0.750 DIAGONALS
15 + 1	3/4 X 5	:	A-325 BOLTS W/ LOCKNUTS --LEG CONNECTION
3	100050	100048-A	FOOTPAD (1 3/4 THICK) - MOUNT @ TOP OF SECT.
:	:	:	:
:	:	:	:
:	:	:	:
:	:	:	:
:	:	:	:
:	:	:	:
:	:	:	:
:	:	:	:
:	:	:	:
:	:	:	:



NOTES:

- ① WELDING WIRE PER AWS A5.10 ERT05-3
- ② ALL WELDERS MUST BE QUALIFIED IN ACCORDANCE WITH ASME SECTION IX

SECTION PART NO.	LEG DIA.	A PART NO.	B PART NO.	C PART NO.	D ROD DIA.	E PART NO.	WEIGHT
105217	1 1/2"	105223	100843	105229	1/2"	103502	580*
105218	1 3/4"	105224	100843	105230	1/2"	103503	710*
105635							
105636							

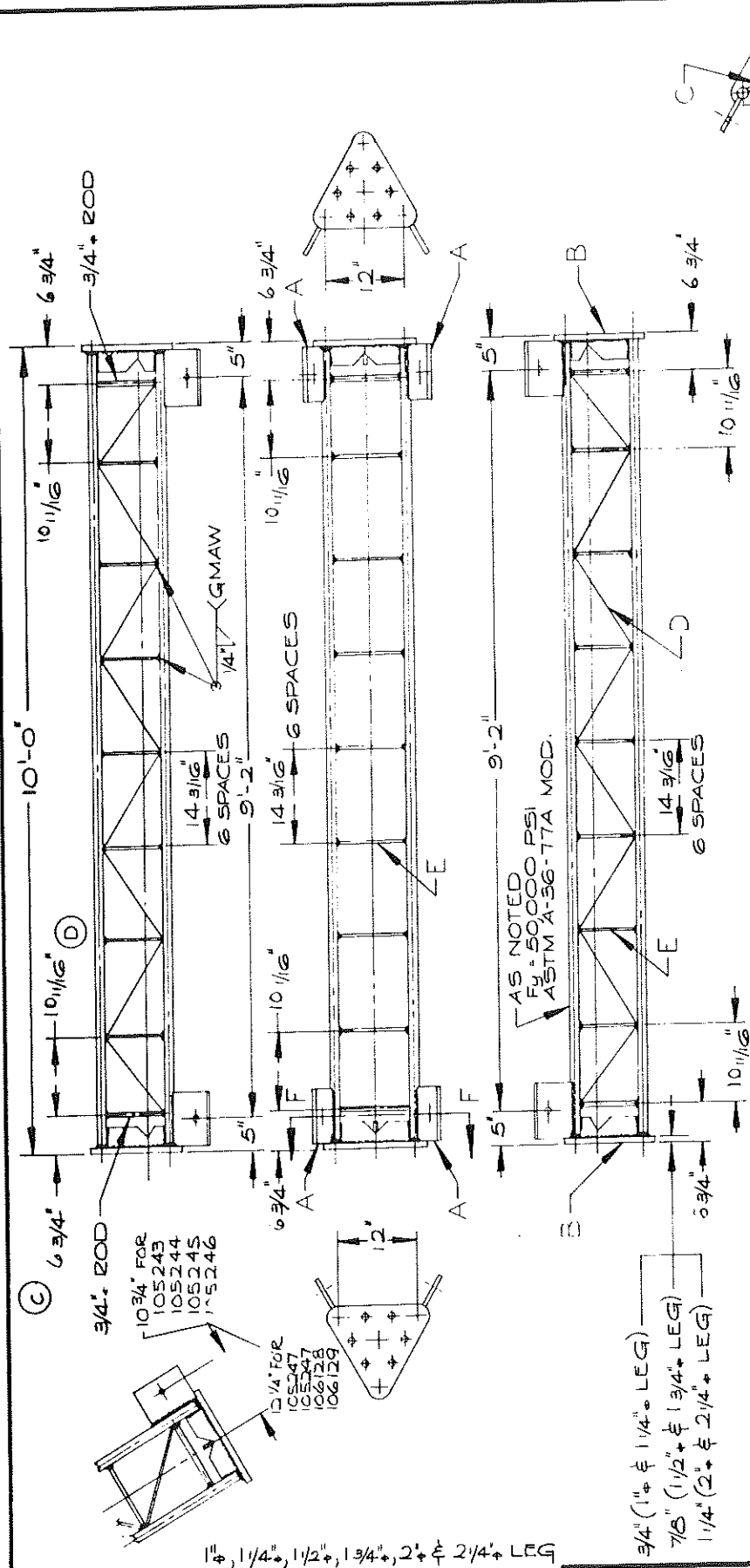


CHG LET	DESCRIPTION	DATE	REG. ENGINEER	REG. NO.	DR BY	DATE	SCALE	DWG. NO.
A	MOVED 105635 AND 105636 TO 105219-B	2/29/64			3/11/64		1/2" = 1'-0"	105217-B

PART NO

#12 LEG SECTION
20'-0" LONG
MODEL U

PI-ROD, INC.
PLYMOUTH, INDIANA 46563



SECTION PART NO.	LEG DIA	A PART NO.	B PART NO.	C PART NO.	D ROD DIA	E ROD DIA	WEIGHT
105243	1"	105221	102168	105897	1/2"	5/8"	210*
105244	1 1/4"	105222	102168	103501	1/2"	5/8"	255*
105245	1 1/2"	105223	100843	103502	1/2"	5/8"	310*
105246	1 3/4"	105224	100843	103503	1/2"	5/8"	375*
105247	2"	105225	100843	103504	5/8"	5/8"	460*
105248	2 1/4"	105226	100843	103505	5/8"	5/8"	545*
106128	1 1/2"	105547	100843	103502	1/2"	5/8"	310*
106129	1 3/4"	105548	100843	103502	1/2"	5/8"	345*

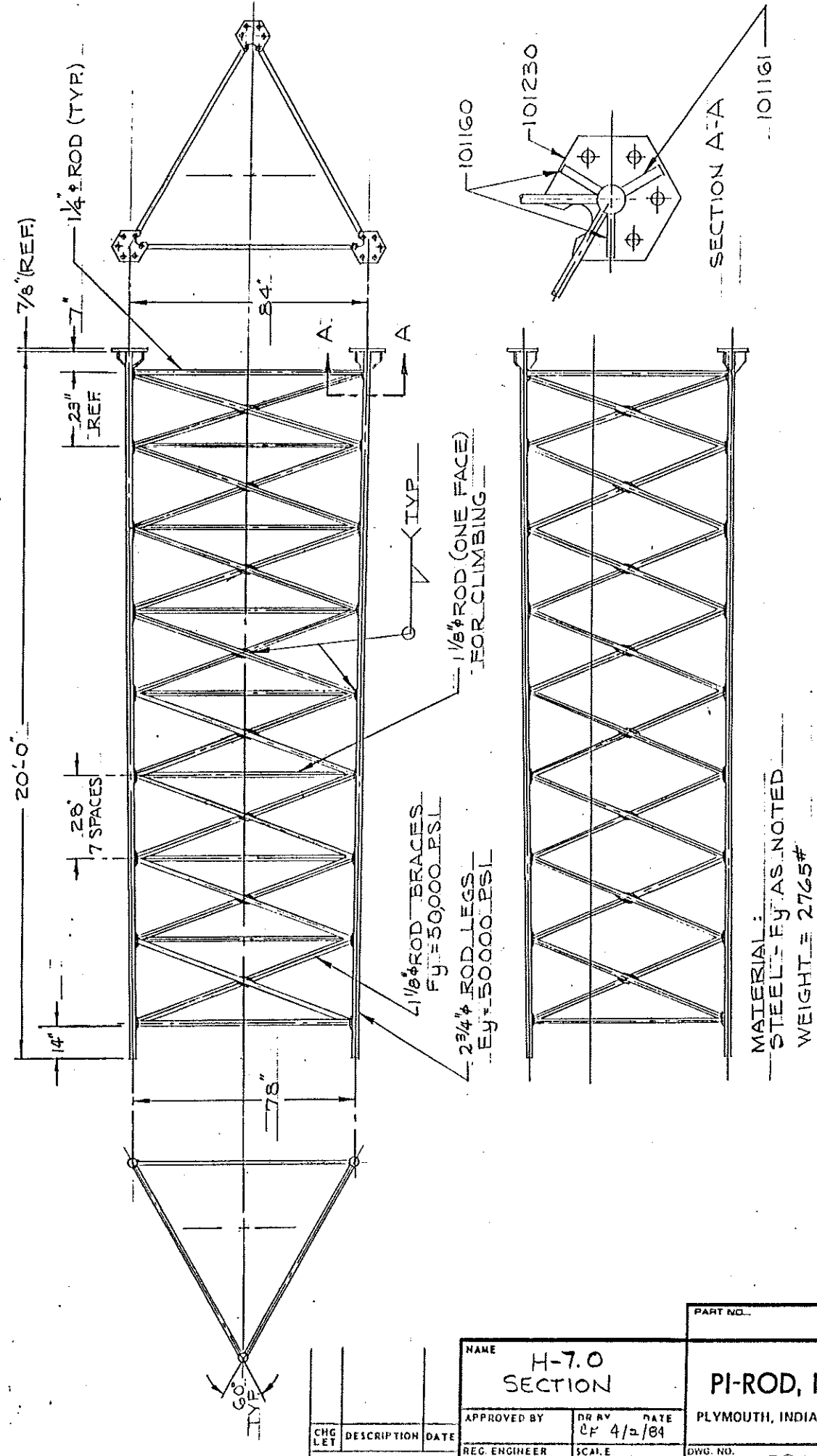
NOTES:
 ① WELDING WIRE PER AWS A5.16 ERT05-3
 ② ALL WELDERS MUST BE QUALIFIED IN ACCORDANCE WITH ASME SECTION IX

1" ϕ , 1 1/4" ϕ , 1 1/2" ϕ , 1 3/4" ϕ , 2" ϕ & 2 1/4" ϕ LEG

3/4" (1" ϕ & 1 1/4" LEG)
 7/8" (1 1/2" ϕ & 1 3/4" LEG)
 1 1/4" (2" ϕ & 2 1/4" LEG)

NO.	DATE	DESCRIPTION	BY	DATE
D	11 1/16	CMG	DR BY	11/11/83
C	5 3/4	REVISIONS	REG. ENGINEER	SCALE 3/4" = 1'-0"

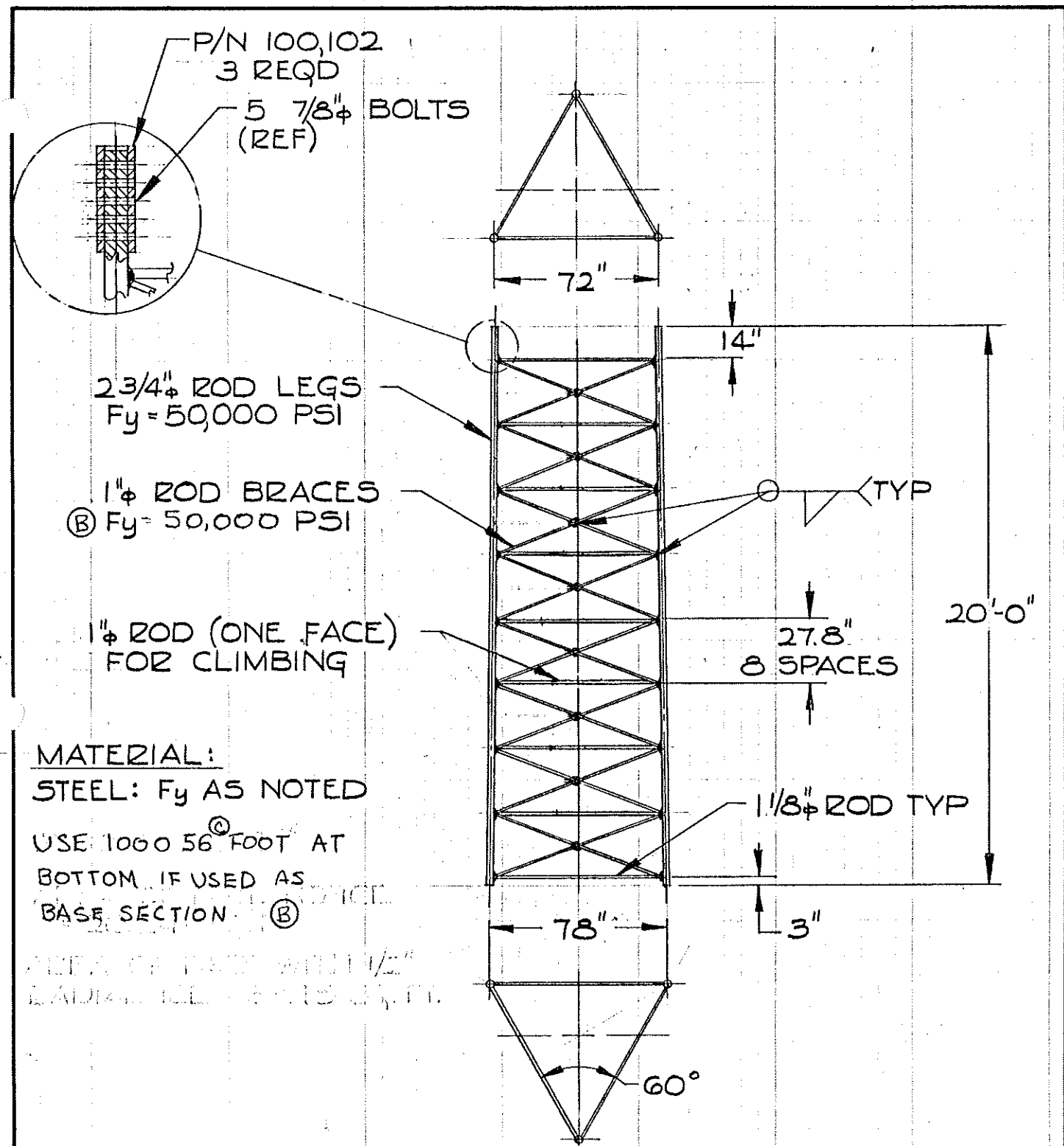
NAME #12 LEG SECTION 10'-0" LONG MODEL "U"	PART NO 105243-B
APPROVED BY DR BY DATE 11/11/83	PI-ROD, INC. PLYMOUTH, INDIANA 48563
REG. ENGINEER REG. NO.	DWG. NO. 105243-B



CHG LET	DESCRIPTION	DATE

NAME	H-7.0 SECTION		
APPROVED BY	DR BY	DATE	
REG. ENGINEER	CF	4/2/84	
SCALE			

PART NO.	PI-ROD, INC.
DWG. NO.	PLYMOUTH, INDIANA 46563



MATERIAL:
 STEEL: F_y AS NOTED
 USE 1000 56[ⓐ] FOOT AT
 BOTTOM IF USED AS
 BASE SECTION [ⓑ]

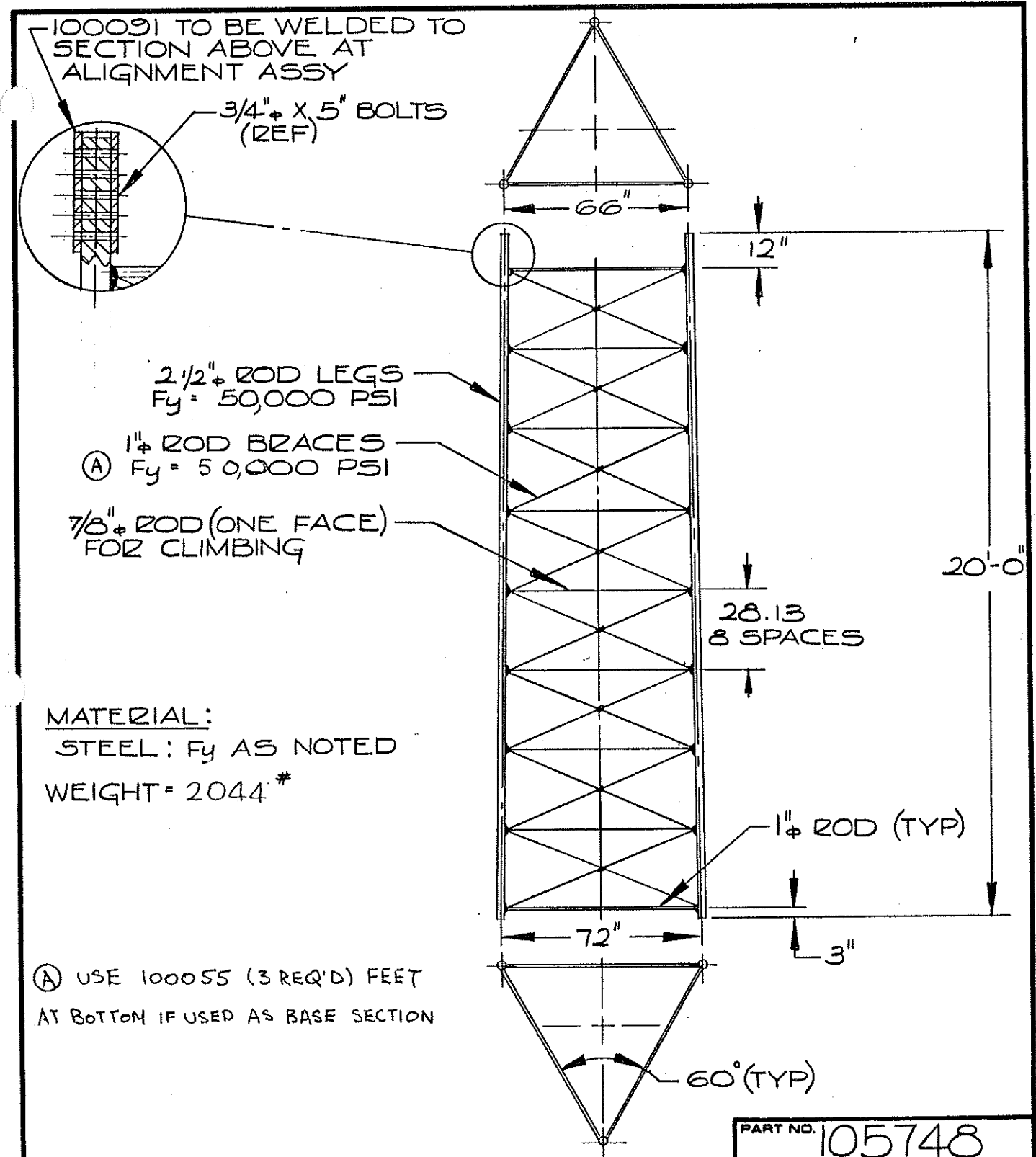
AREA OF FACE WITH 1/2"
 LEADERS ALL 1/2" DIA.

P/N 100,250

D	REVISED	10/28/84	NAME	H-6.5 2.750-1.00		PI-ROD TOWER COMPANY, INC. PLYMOUTH, INDIANA 46563
C	NAME CHANGED WAS #7212B	11/15/84		SECTION		
B	REVISED	7/25/84	APPROVED BY	DR BY	DATE	DWG. NO. 100,250-A
A	REVISED LADDER	2/29/84		<i>Zinkenberg</i>	3-12-77	
CHG LET	DESCRIPTION	DATE	REG. ENGINEER	SCALE		
	REVISIONS		REG. NO.	1" = 5'-0"		

11-H

QUANTITY:	PART #	DRAWING#:	DESCRIPTION
+ EXTRAS:			
:	:	:	TAPER 72-- 66 BOTTOM HT.=370 SECTION H-6.0
:	:	:	PAINT ALL WHITE
1	105748	105748-A	FABRICATED SECTION--2.500 LEGS 1.000 DIAGONALS
15 + 1	7/8 X 6		A-325 BOLTS W/ LOCKNUTS --LEG CONNECTION
:	:	:	
:	:	:	
:	:	:	
:	:	:	
:	:	:	
:	:	:	
:	:	:	TAPER 66-- 60 BOTTOM HT.=390 SECTION H-5.5
:	:	:	PAINT ALL WHITE
1	100248	100248-A	FABRICATED SECTION--2.500 LEGS 0.875 DIAGONALS
15 + 1	3/4 X 5		A-325 BOLTS W/ LOCKNUTS --LEG CONNECTION
:	:	:	
:	:	:	
:	:	:	
:	:	:	
:	:	:	
:	:	:	
:	:	:	
:	:	:	
:	:	:	
:	:	:	
:	:	:	
:	:	:	
:	:	:	



MATERIAL:
 STEEL: Fy AS NOTED
 WEIGHT = 2044 #

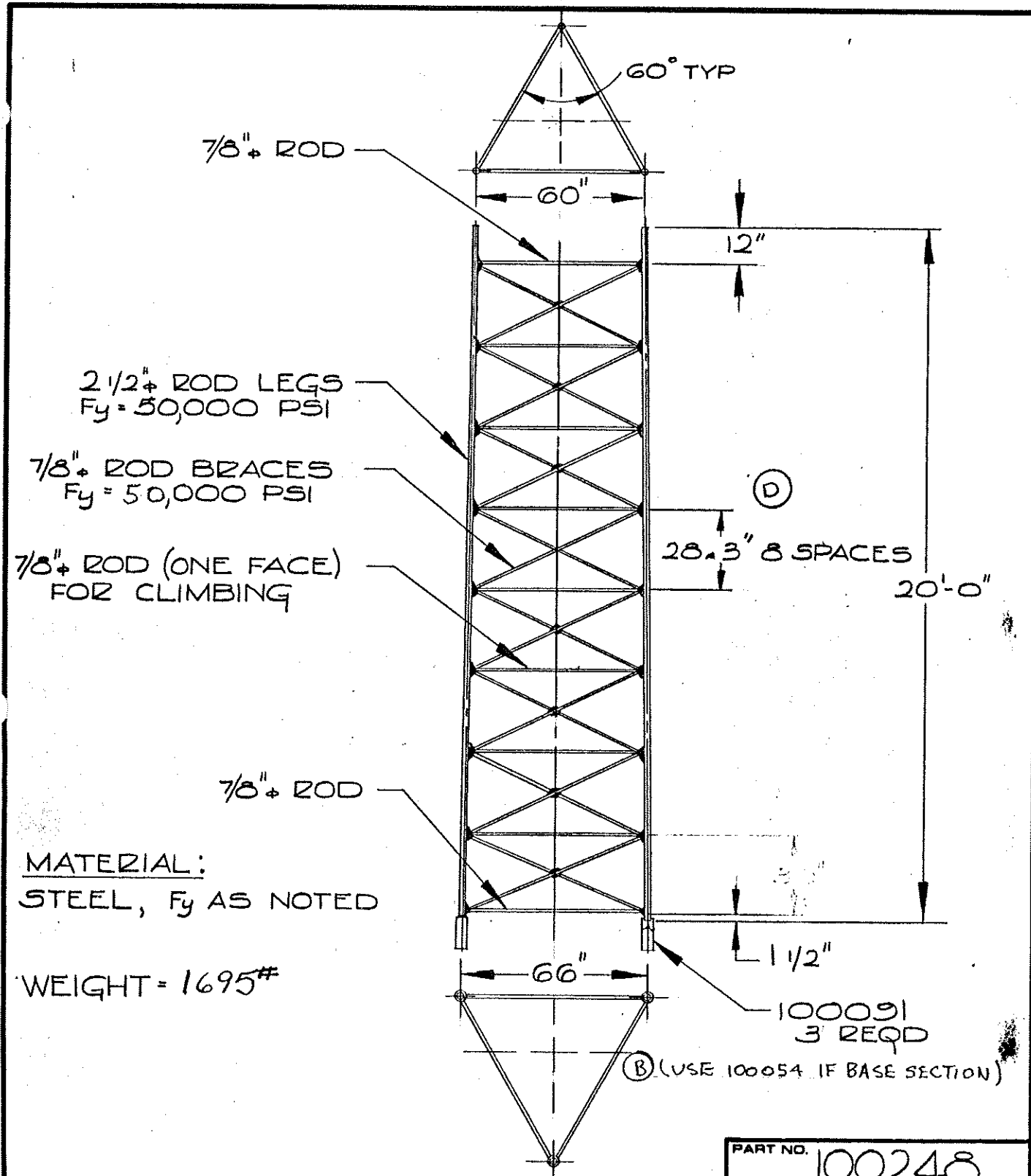
(A) USE 100055 (3 REQ'D) FEET
 AT BOTTOM IF USED AS BASE SECTION

PART NO. 105748

NAME		H-6.0-2.500-1.000 SECTION	
CHG LET	DESCRIPTION	DATE	REG. ENGINEER
B	NAME CHANGED WAS #62/72	7/25/84	APPROVED BY
A	REVISED Fy	KWS	DR BY
	ADDED NOTE		DATE
			2/20/84
	REVISIONS		SCALE
			1/4" = 1'-0"
			REG. NO.

PI-ROD, INC.
 PLYMOUTH, INDIANA 46563
 DWG. NO. 105748-A

BRUNING 40 57251



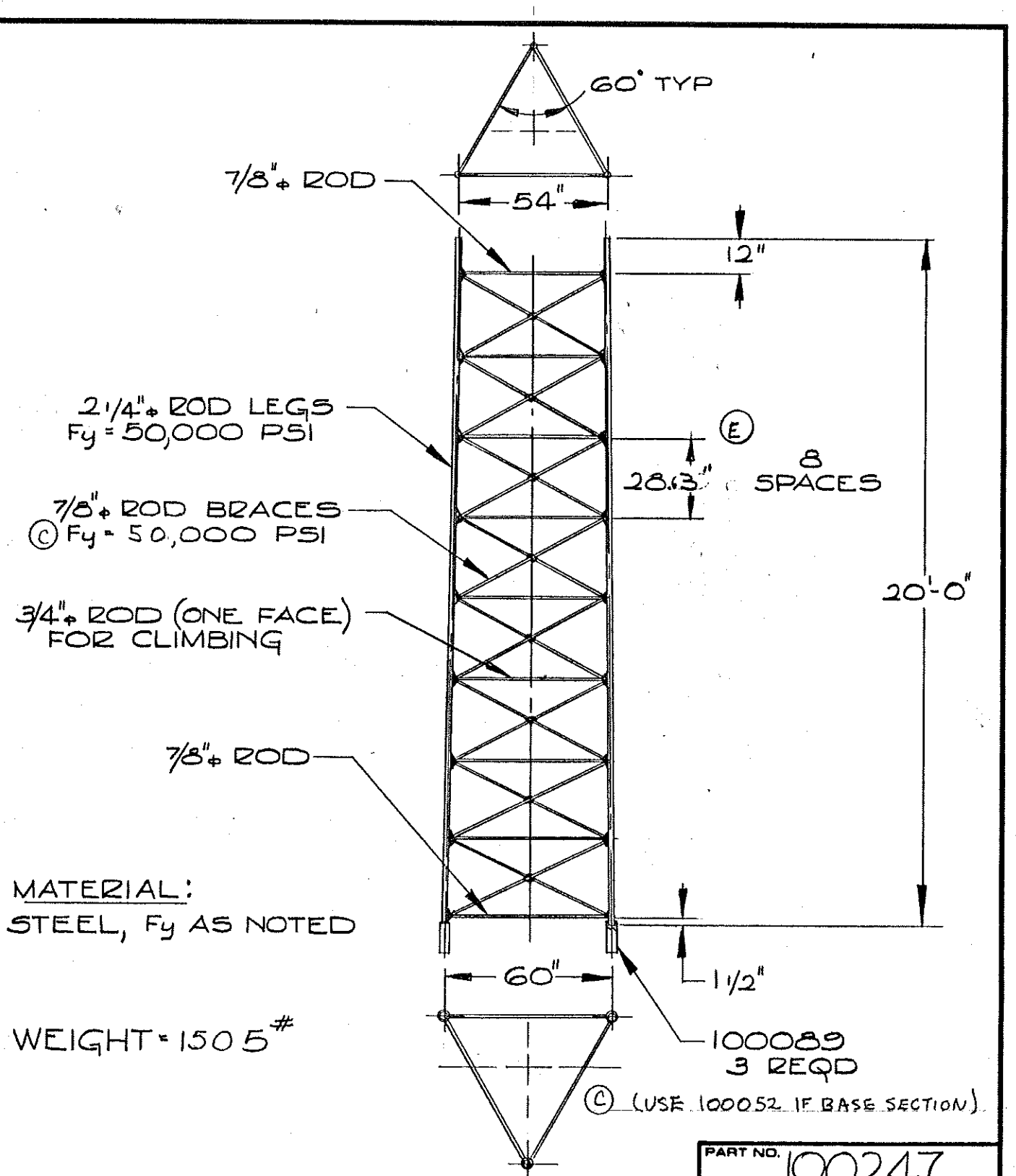
MATERIAL:
STEEL, F_y AS NOTED

WEIGHT = 1695#

PART NO. 100248

D	WAS 28.13"	10/84	NAME	H-55 SECTION		PI-ROD, INC. PLYMOUTH, INDIANA 46563
C	NAME CHANGED	3/25/84	REG. ENGINEER	DR BY	DATE	
B	REVISED F _y	7/25/84	REG. NO.	SCALE	1/4" = 1'-0"	DWG. NO. 100248-A
A	ADDED NOTE	3/25/83	REG. NO.	SCALE	1/4" = 1'-0"	
CHG LET	DESCRIPTION	DATE	REG. NO.	SCALE	1/4" = 1'-0"	
	REVISIONS					

BRUNING 257251



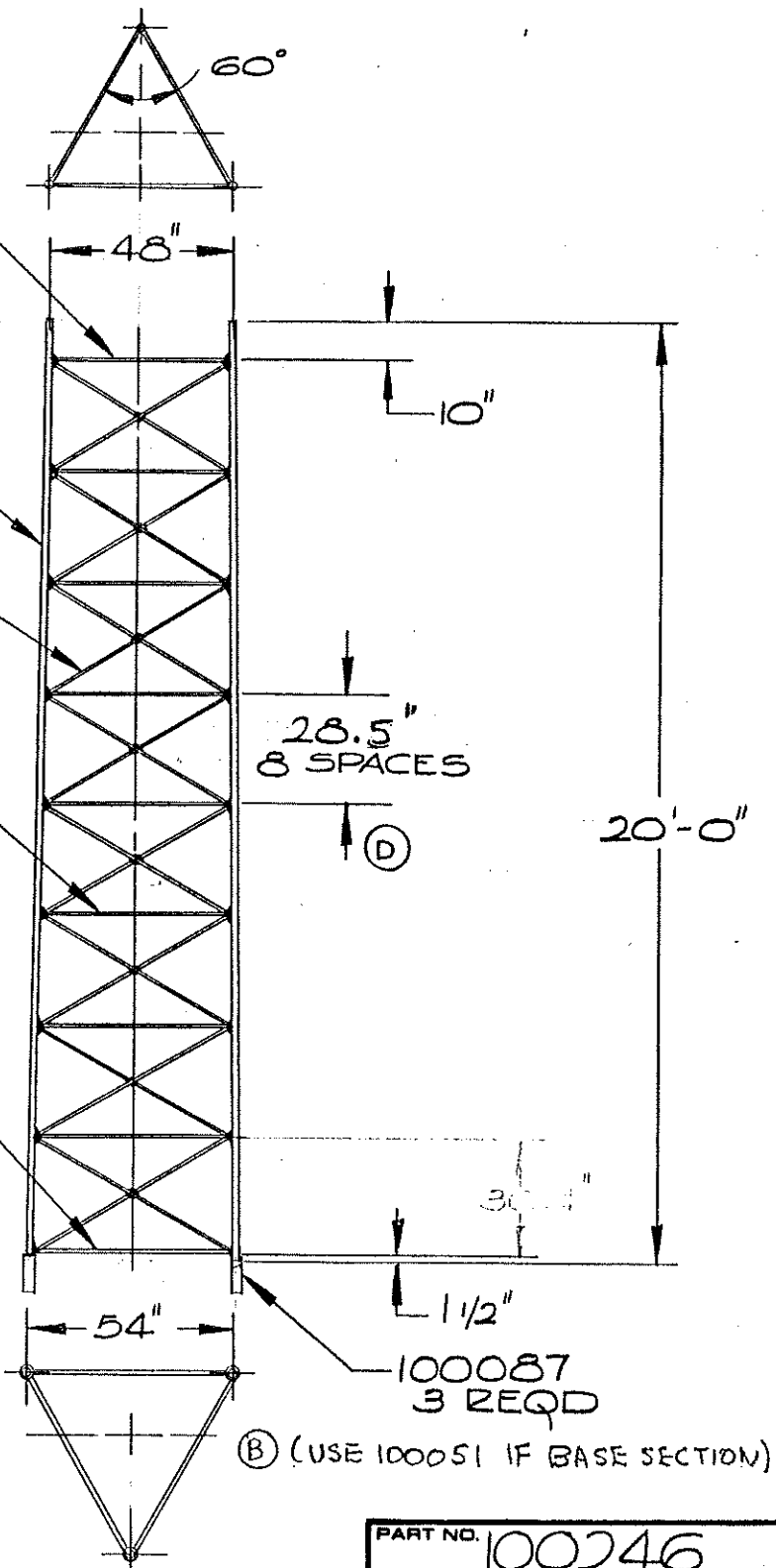
MATERIAL:
STEEL, F_y AS NOTED

WEIGHT = 1505 #

PART NO. 100247

E	WAS 28.03	10/87	NAME	H-5.0 SECTION		PI-ROD, INC. PLYMOUTH, INDIANA 46563
D	NAME CHANGED WAS 28.03	8/1/84	DR BY	S. J. JENSEN		
C	REVISED F _y ADDED NOTE	7/25/84	APPROVED BY	S. J. JENSEN		DWG. NO. 100247-A
B	REVISED & REDRAWN	3/25/83	REG. ENGINEER	SCALE 1/4" = 1'-0"		
CHG LET	DESCRIPTION	DATE	REG. NO.			
	REVISIONS					

BRUNING 257251



7/8" ϕ ROD

2" ϕ ROD LEGS
F_y = 50,000 PSI

3/4" ϕ ROD BRACES
F_y = 50,000 PSI

3/4" ϕ ROD (ONE FACE)
FOR CLIMBING

7/8" ϕ ROD

MATERIAL:
STEEL, F_y AS NOTED

WEIGHT = 1082 #

(B) (USE 100051 IF BASE SECTION)

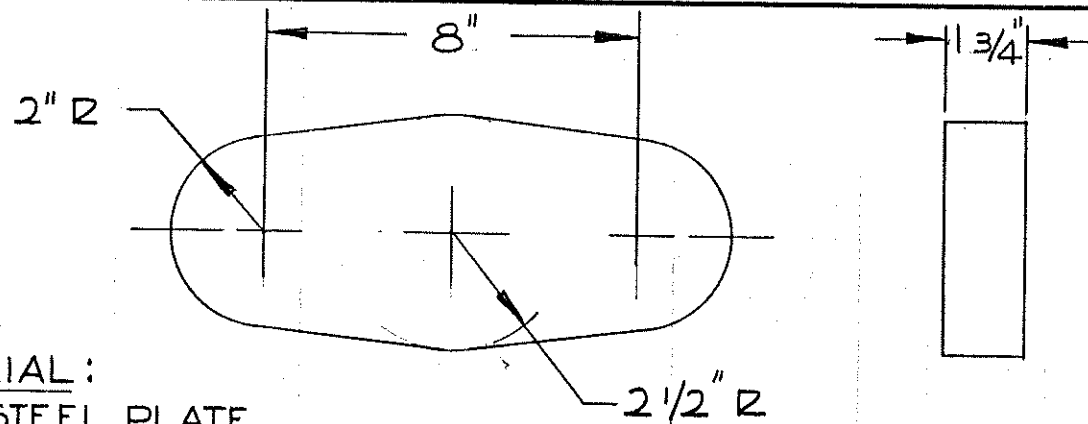
PART NO. 100246

CHG LET	DESCRIPTION	DATE
D	WAS 28.3"	10/84
C	NAME CHANGED WAS AN-S	8/21/84
B	REVISED F _y ADDED NOTE	7/25/84
A	REVISED & REDRAWN	3/28/84

NAME H4.5 SECTION		
APPROVED BY	DR BY	DATE
	<i>Smkenberg</i>	9/8/77
REG. ENGINEER	SCALE	
	1/4" = 1'-0"	
REG. NO.		

PI-ROD, INC.	
PLYMOUTH, INDIANA 46563	
DWG. NO.	100246-A

BRUNING 46-257251

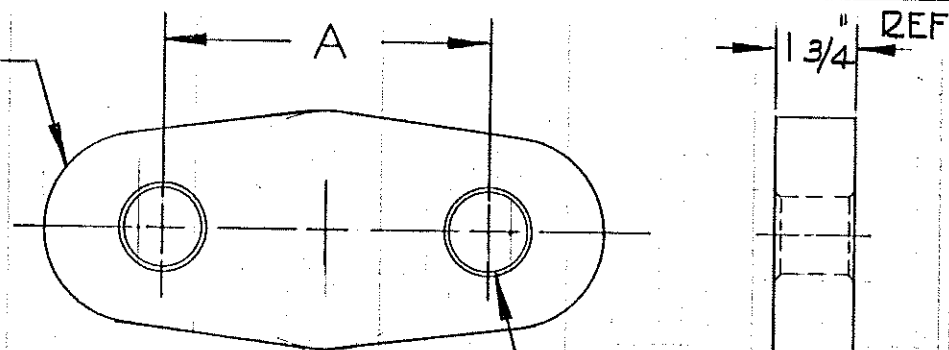


MATERIAL:
A-36 STEEL PLATE

BLANK

P/N 100048

REMOVE ALL SHARP
EDGES ALL AROUND
BOTH SIDES



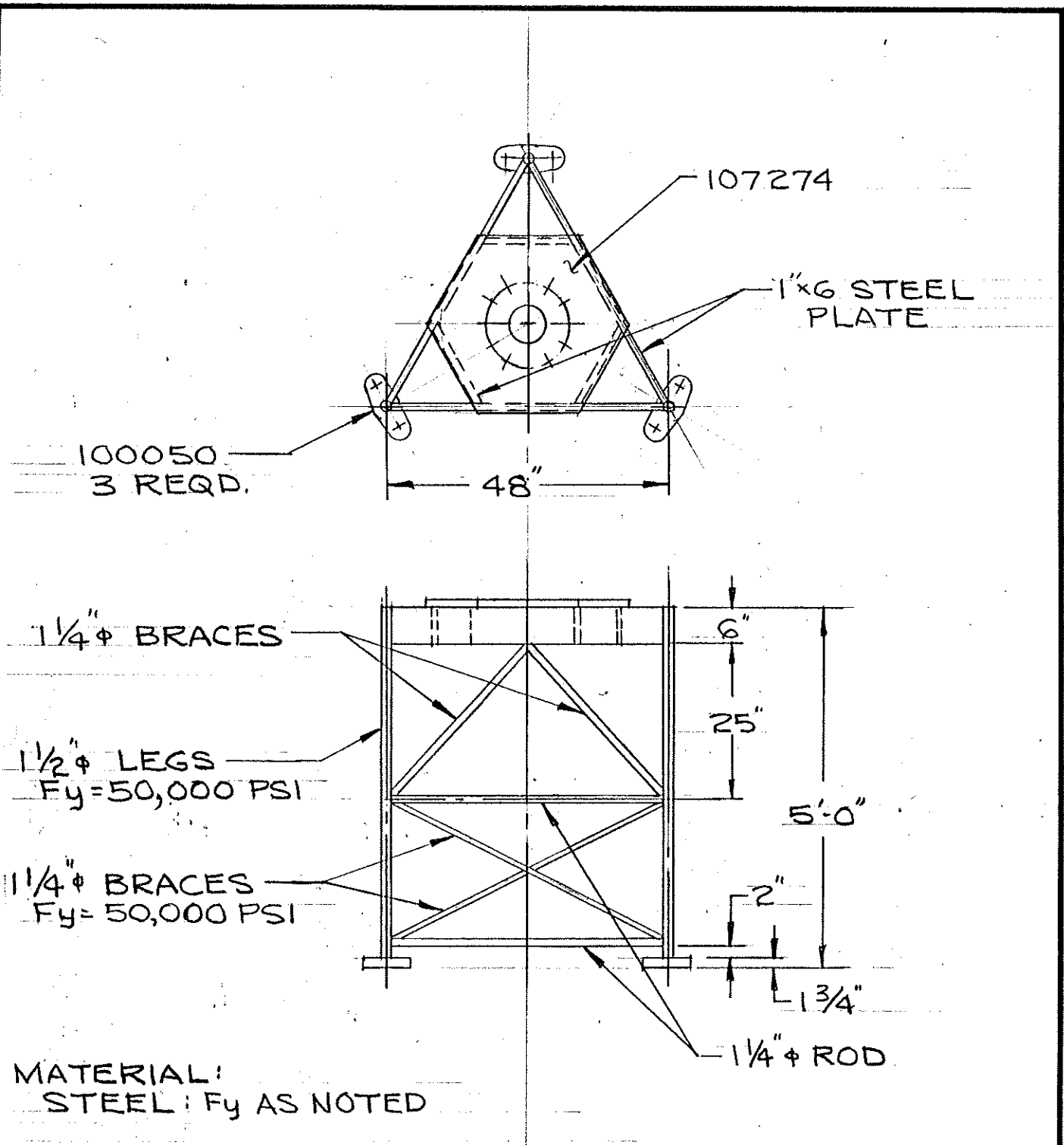
MATERIAL:
MAKE FROM 100048 BLANK

B & THRU 2 HOLES
CHAM BOTH SIDES
1/16" x 45°

PART NO.	USAGE (DESCRIPTION)	A	B	ANCHOR BOLT SIZE (REF)
100049	SSA-2 x 200' SSB-1 x 180'	7"	1 1/2"	1 3/8"
100050	SSB-1 x 200' H x 120'	7"	1 5/8"	1 1/2"
100051	SSA-2 x 240' SSB-1 x 220' H-140'	8"	1 5/8"	1 1/2"
100052	SSA-2 x 260' SSB-1 x 240'	8"	1 7/8"	1 3/4"

P/N 100052
P/N 100051
P/N 100050
P/N 100049

A		REDRAWN & REVISED		NAME FOOT PAD (1 3/4" THICK)	PI-ROD TOWER COMPANY, INC. PLYMOUTH, INDIANA 46563
CHG LET	DESCRIPTION	DATE	APPROVED BY DR BY <i>Rinkenberg</i> DATE <i>6/15/77</i>		
REVISIONS			REG. ENGINEER SCALE	DWG. NO. 100048-A	



MATERIAL:
STEEL: Fy AS NOTED

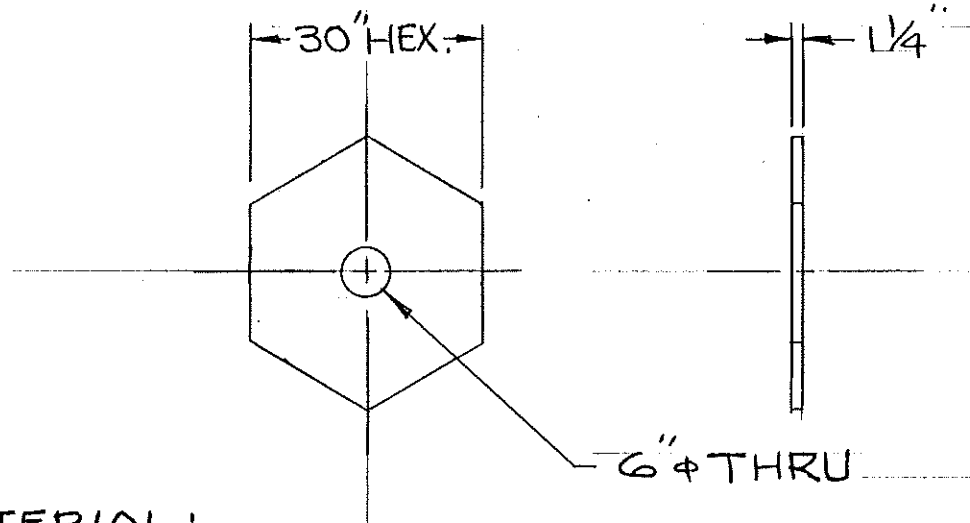
WEIGHT = 1000*

PART NO. 107275

NAME		#48x5'-0" SECTION		PI-ROD, INC. PLYMOUTH, INDIANA 46563
APPROVED BY	OR BY	DATE		
		MLA	4/1/85	
REG. ENGINEER	SCALE	1/2" = 12"		DWG. NO. 107275-A
REG. NO.				

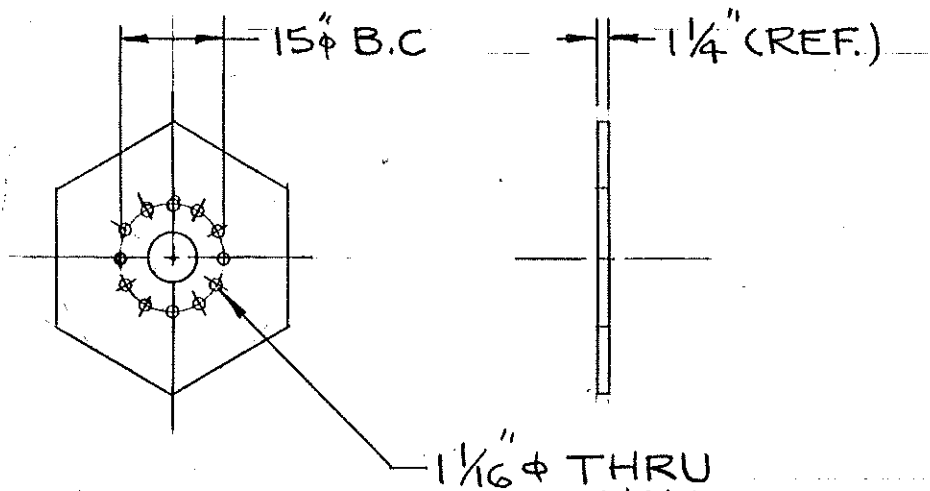
CHG LET	DESCRIPTION	DATE
	REVISIONS	

BRUNING 40-257251



MATERIAL:
A-36 PLATE
WEIGHT - 266#

BLANK 107273



MATERIAL:
MAKE FROM 107273

1 1/16" ϕ THRU
12 HOLES
EQUALLY SPACED

PART NO. 107274

NAME
PLATE-HEX (30")

PI-ROD, INC.

APPROVED BY
REG. ENGINEER

DR BY
SCALE

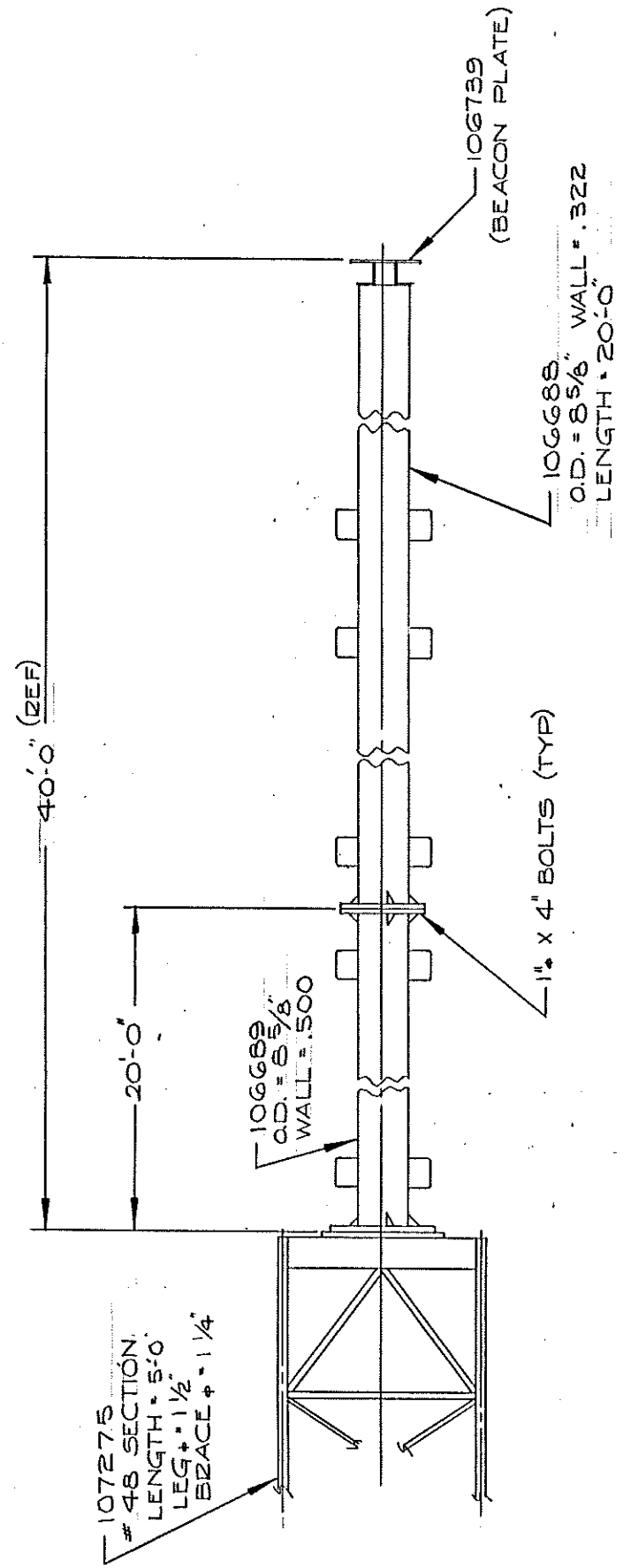
PLYMOUTH, INDIANA 46563

CHG LET	DESCRIPTION	DATE
	REVISIONS	

REG. NO.

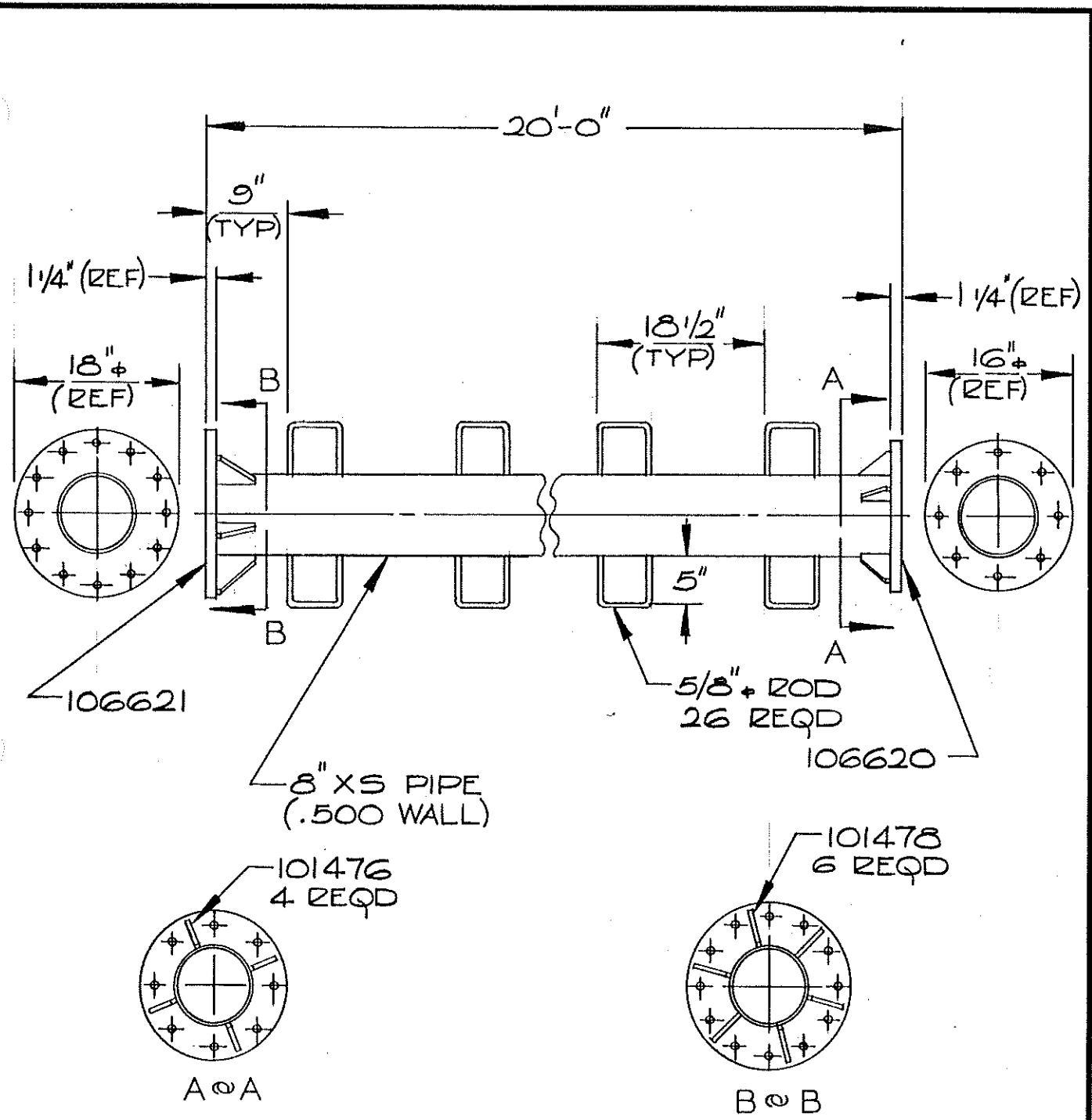
1/2" = 12"

DWG. NO. 107273-A



WEIGHT = 1730 #

REVISIONS			NAME PYLON ASSY		PART NO. PI-ROD, INC.	
CHG LET	DESCRIPTION	DATE	APPROVED BY	DR BY	DATE	PLYMOUTH, INDIANA 46563
			REG. ENGINEER	SCALE	—	DWG. NO. 107277-B
			REG. NO.			



WEIGHT = 1030 #

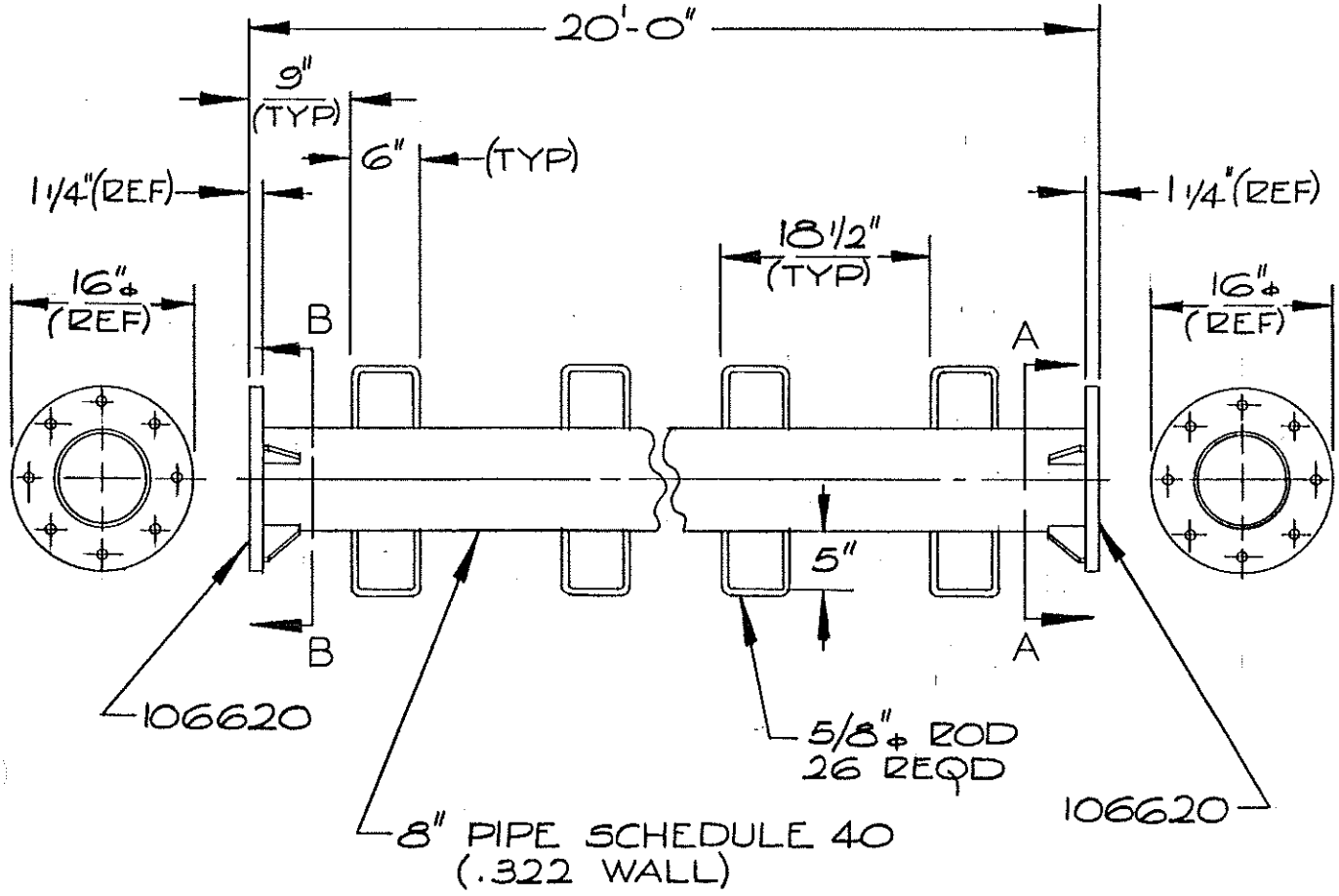
8" TO 10" PIPE FLANGE

PART NO. 106689

NAME PIPE SECTION		PI-ROD, INC.	
8" PIPE (8 5/8" O.D.)		PLYMOUTH, INDIANA 46563	
.500 WALL 1" BOLTS		DWG. NO. 106689-A	
APPROVED BY	DR BY	DATE	
	Zinkenberg	10/22/84	
REG. ENGINEER	SCALE		
REG. NO.	3/4" = 1'-0"		

CHG LET	DESCRIPTION	DATE
	REVISIONS	

BRUNING 40 57251

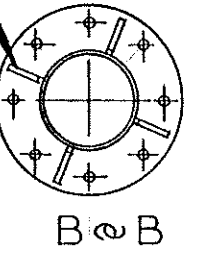
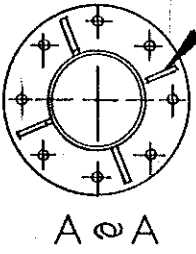


8" PIPE SCHEDULE 40
(.322 WALL)

5/8" ROD
26 REQD

101476
4 REQD

101476
4 REQD



WEIGHT = 710#

PART NO. 106688

NAME PIPE SECTION
8" PIPE (8 5/8" O.D.)
.322 WALL 1" BOLTS

PI-ROD, INC.
PLYMOUTH, INDIANA 46563

APPROVED BY
DR BY DATE
Sinkenberg
10/22/84

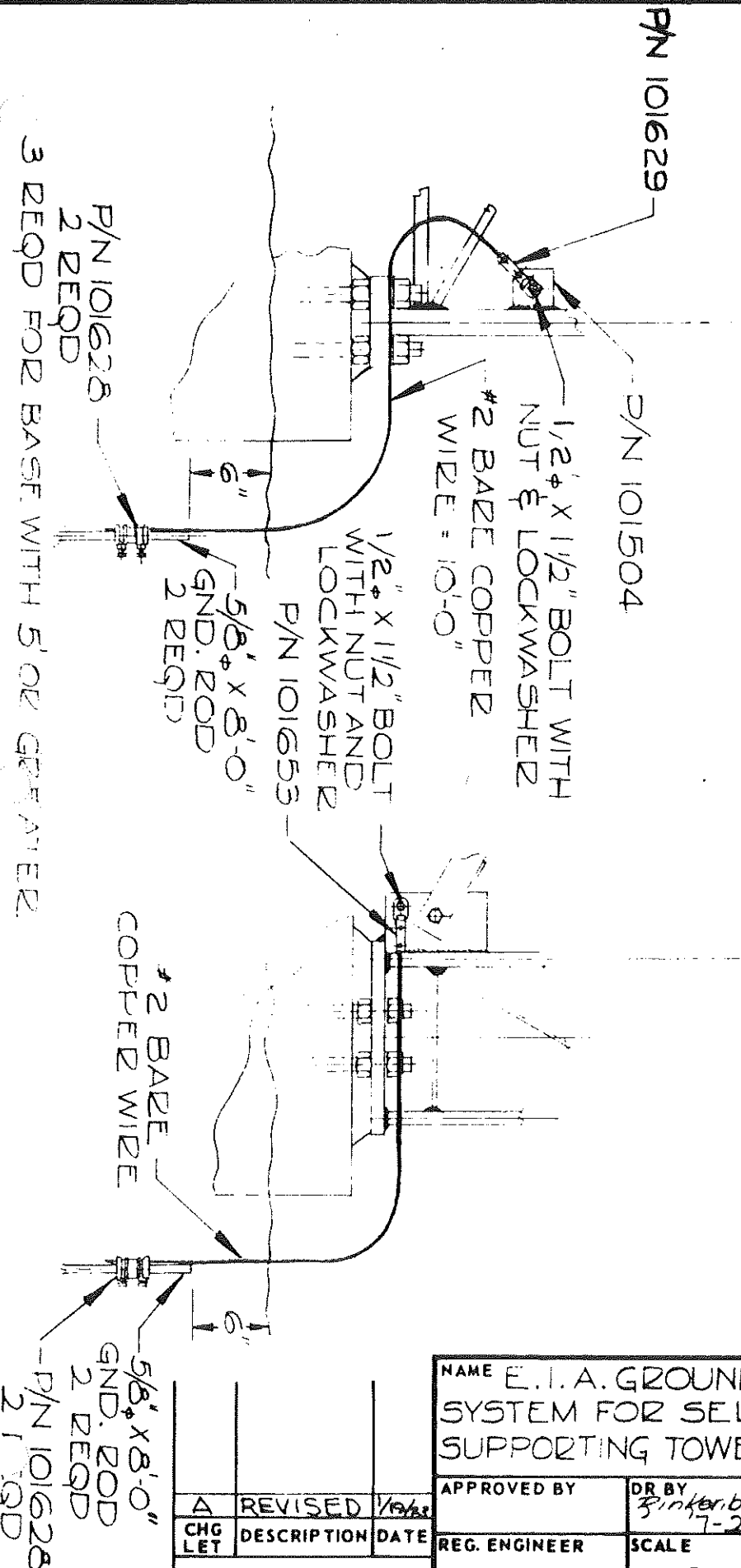
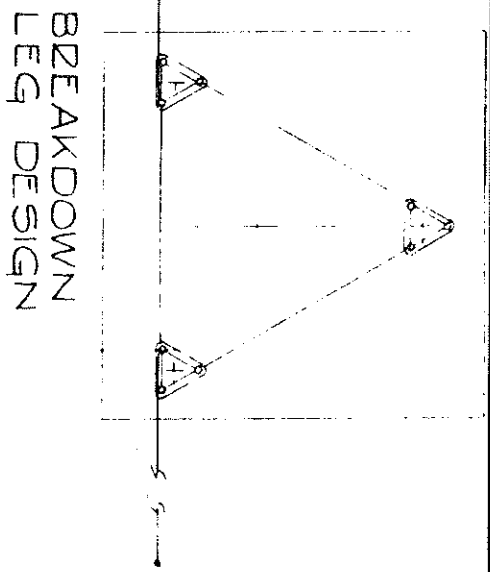
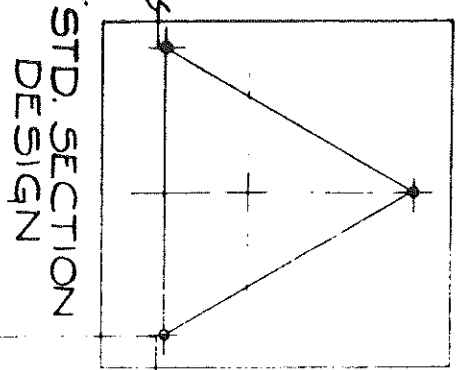
REG. ENGINEER
REG. NO.

SCALE
3/4" = 1'-0"

DWG. NO. 106688-A

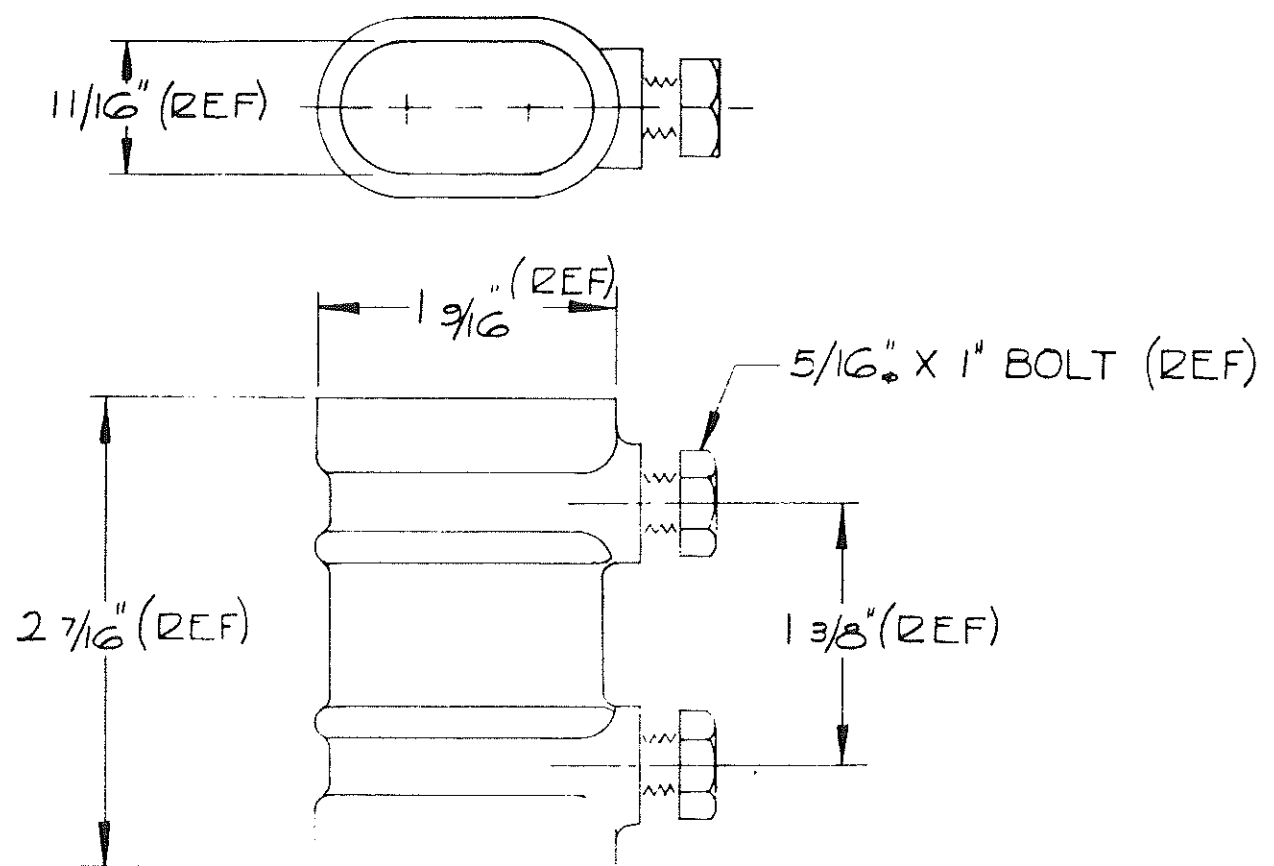
CHG LET	DESCRIPTION	DATE
	REVISIONS	

BRUNING 4 57251



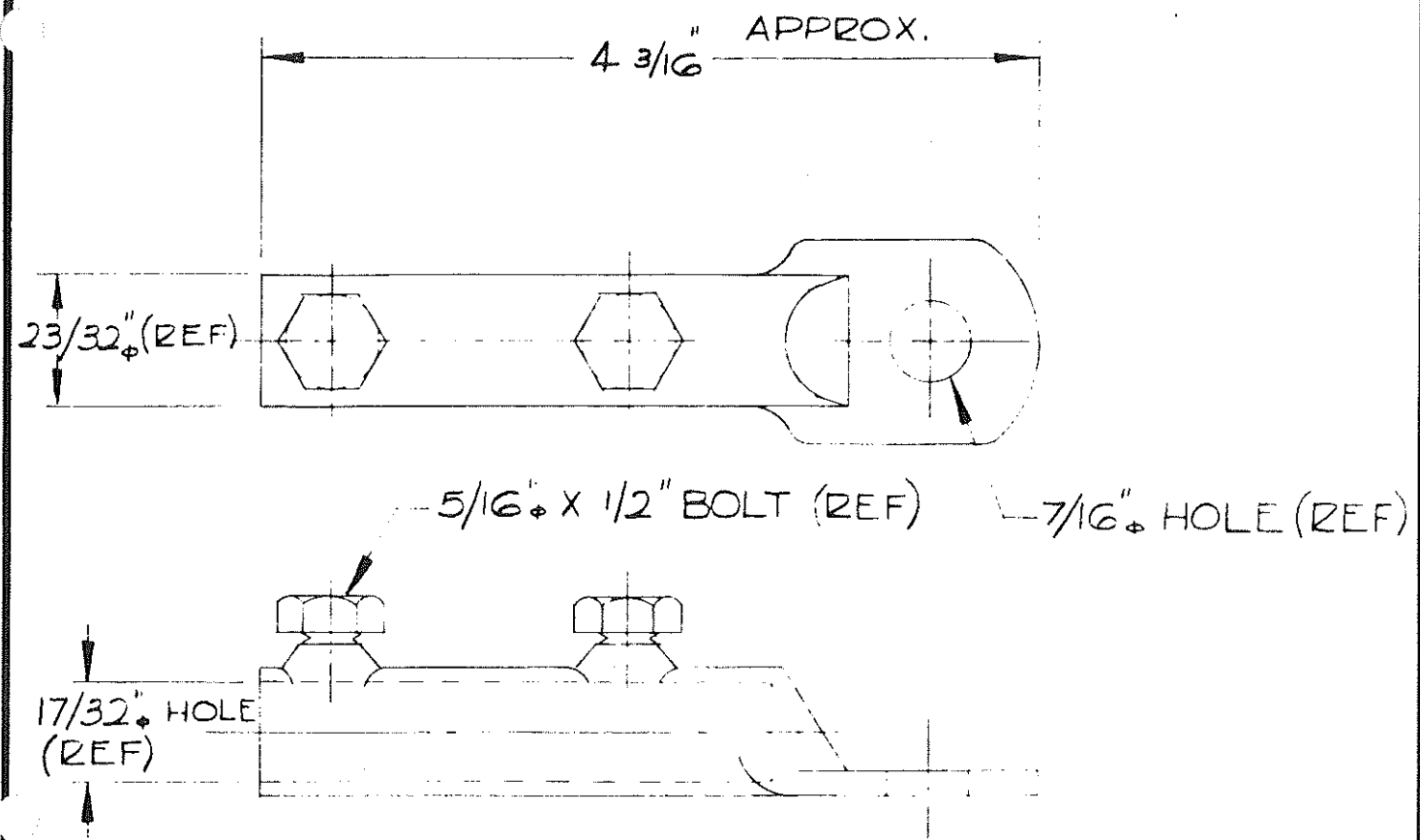
PART NO.		PI-ROD, INC.	
		PLYMOUTH, INDIANA 46563	
NAME E. I. A. GROUNDING SYSTEM FOR SELF SUPPORTING TOWERS		DWG. NO. 101650-A	
APPROVED BY	DR BY <i>Binkenberg</i>	DATE	7-2-80
REG. ENGINEER	SCALE		
REG. NO.			

CHG LET	REVISIONS	DESCRIPTION	DATE
A	REVISED	1/2"	7/2/80



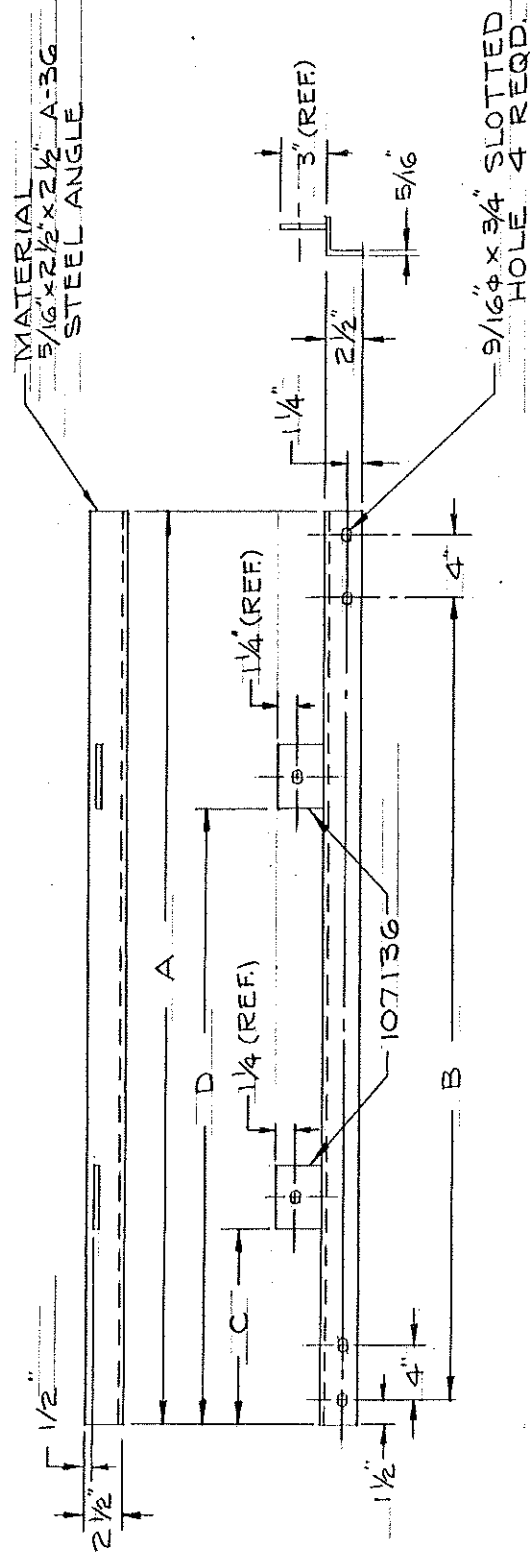
MATERIAL: BRONZE.
 SOURCE OF SUPPLY
 INDEPENDENT PROTECTION CO.
 GOSHEN, IND.
 THEIR PART NO. 51-A

			PART NO. 101628	
NAME CLAMP GROUND ROD			PI-ROD, INC.	
APPROVED BY			DR BY <i>Brinkley</i>	DATE 7-1-30
REG. ENGINEER			SCALE 1/1	DWG. NO. 101628-A
CHG LET	DESCRIPTION	DATE	REG. NO.	
	REVISIONS			



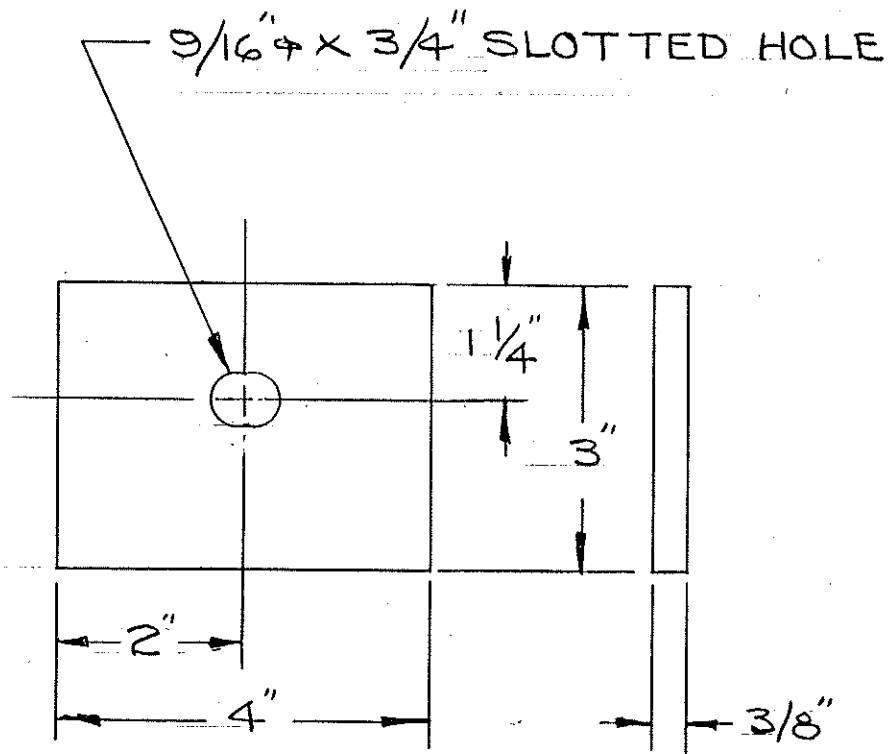
MATERIAL: BRONZE
 SOURCE OF SUPPLY
 INDEPENDENT PROTECTION CO.
 GOSHEN, IND.
 THEIR PART NO. G67

			PART NO. 101629	
NAME			TERMINAL, BUS	
APPROVED BY			DR BY	DATE
			Zimberg	7-1-80
REG. ENGINEER			SCALE	DWG. NO.
REG. NO.			1/1	101629-A
CHG LET	DESCRIPTION	DATE	REVISIONS	



PART NO.	LOCATION LEVEL	A	B	C	D
107137	440'	58"	51"	12 7/16"	—
107138	430'	61"	54"	13 15/16"	—
107139	420'	64"	57"	15 7/16"	—
107174	410'	67"	60"	16 15/16"	43 1/2"
107175	400'	70"	63"	18 7/16"	45"
107176	390'	73"	66"	19 15/16"	46 1/2"
107177	380'	76"	69"	21 7/16"	48"
107178	370'	79"	72"	22 15/16"	49 1/2"
107179	360'	82"	75"	24 7/16"	51"
107180	350'	85"	78"	25 15/16"	52 1/2"
107181	340'	88"	81"	27 7/16"	54"
107361	453,449'	55"	48"	10 15/16"	—

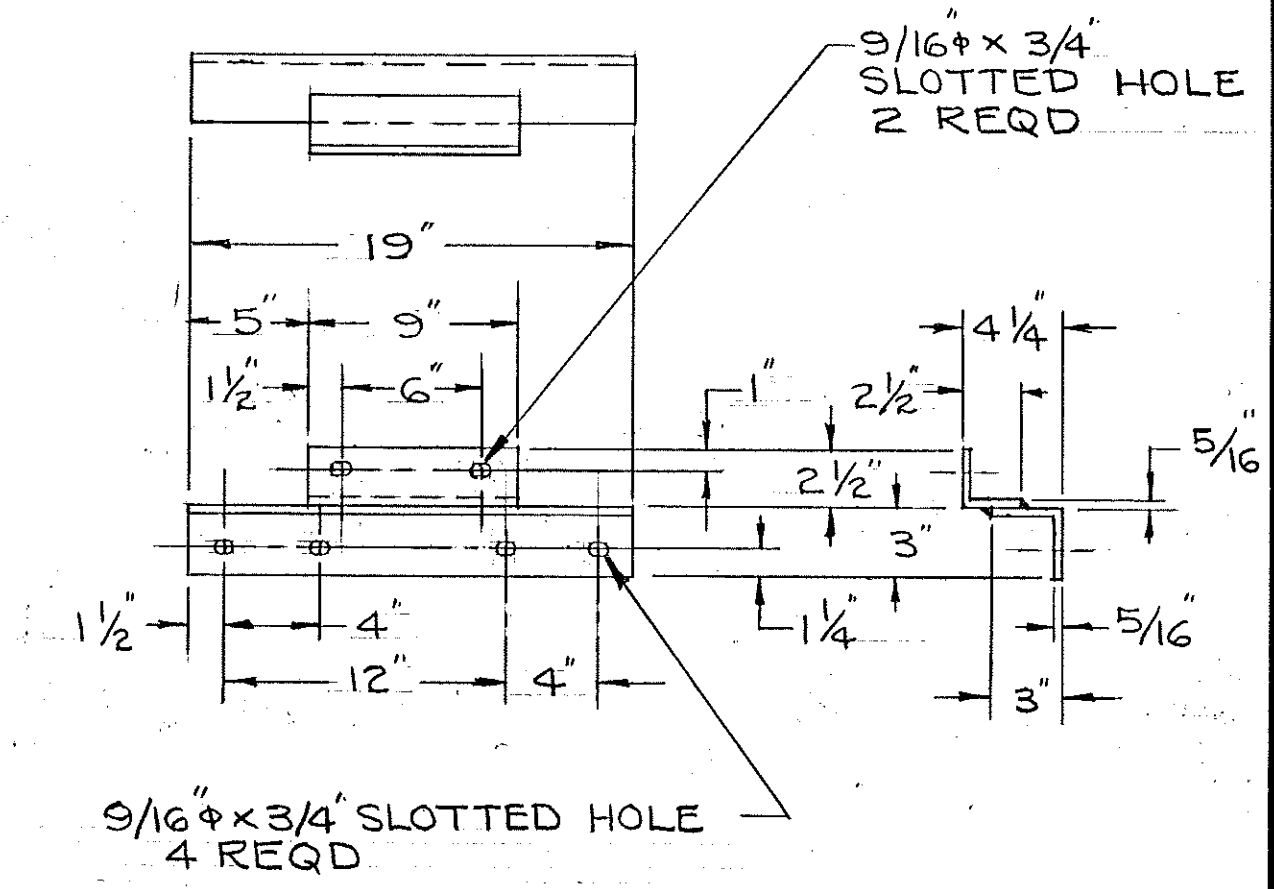
CHG LET		DESCRIPTION	DATE	APPROVED BY		DR BY	DATE	PART NO	
						MLA	7/18/85	107137-B	
REVISIONS		REG. ENGINEER		SCALE		DWG. NO.		PI-ROD, INC.	
								PLYMOUTH, INDIANA 46563	



MATERIAL:
 3/8" x 3" A-36 FLAT STEEL

BRUNING 40-257251

			PART NO.		107136
NAME			PI-ROD, INC.		
PLATE-HANGER MOUNTING			PLYMOUTH, INDIANA 46563		
APPROVED BY	DR BY	DATE			
	MLA	4/18/85			
REG. ENGINEER	SCALE	DWG. NO.	107136-A		
REG. NO.	1/2				
CHG LET	DESCRIPTION	DATE			
	REVISIONS				



MATERIAL:
A-36 STEEL ANGLE

PART NO. 107182

NAME
BRACKET-TRANS.
LINE HANGER MTG
(*12 LEG SECT.)

PI-ROD, INC.
PLYMOUTH, INDIANA 46563

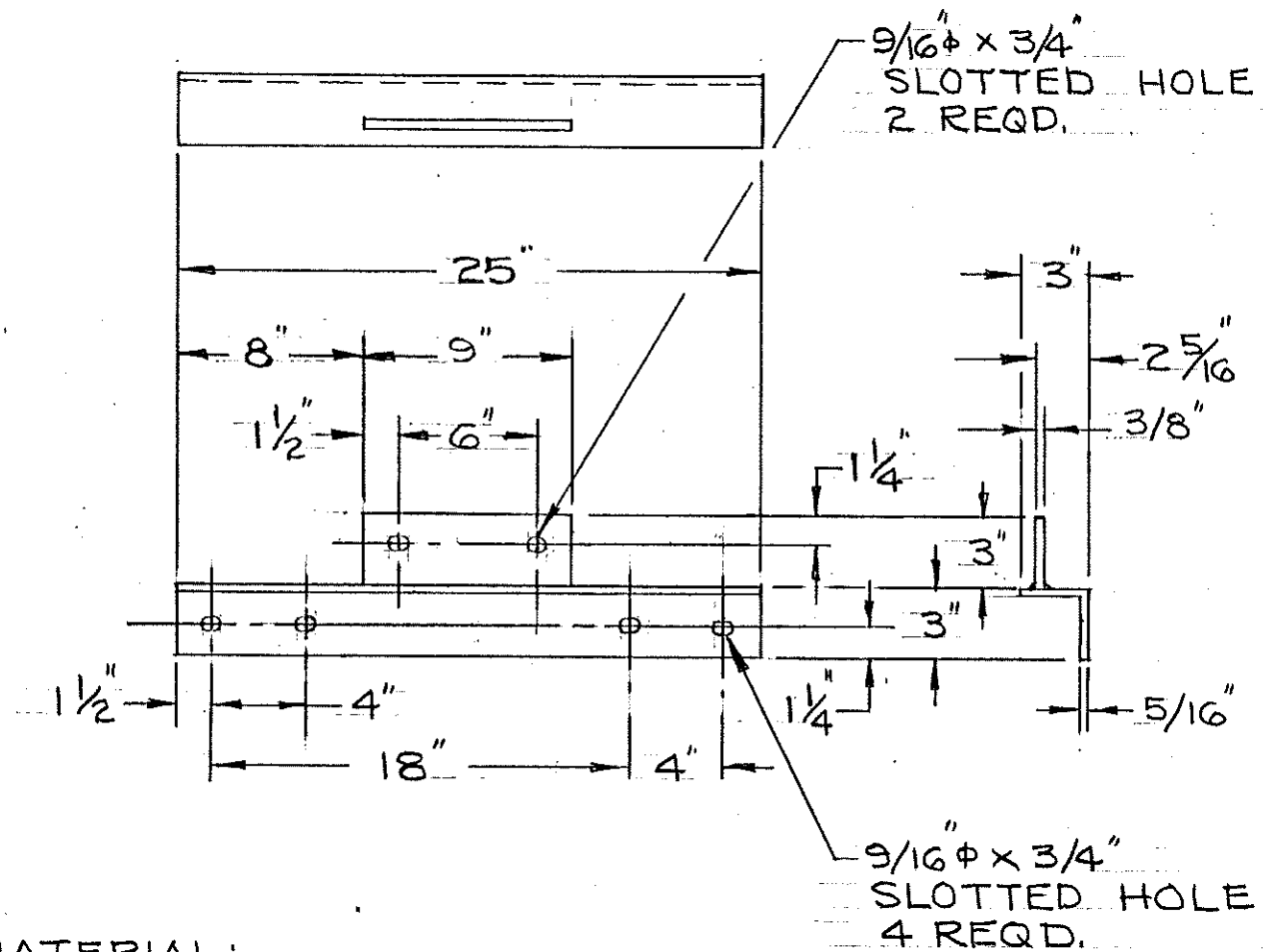
APPROVED BY
REG. ENGINEER
REG. NO.

DR BY
MLA
DATE
4/19/85
SCALE
1 1/2" = 12"

DWG. NO.
107182-A

CHG LET	DESCRIPTION	DATE
	REVISIONS	

BRUNING 40-57251

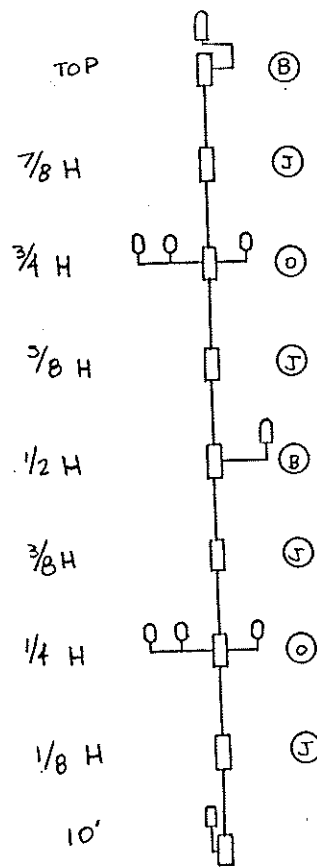


MATERIAL:
A-36 STEEL

		PART NO.		107183	
		NAME		PI-ROD, INC.	
		BRACKET-TRANS. LINE HANGER MTG (#18 LEG SECT)		PLYMOUTH, INDIANA 46563	
		APPROVED BY	DR BY	DATE	
			MLA	9/19/85	
CHG LET	DESCRIPTION	DATE	REG. ENGINEER	SCALE	DWG. NO.
	REVISIONS		REG. NO.	1 1/2" = 12"	107183-A

NOTE: IF TOP BEACON IS POLE MOUNTED:
 UPPER JUNCTION BOX TO BE AT BASE
 OF POLE. USE S.O. TYPE CABLE FROM
 UPPER JUNCTION BOX TO TOP BEACON
 WITH CABLE SUPPORT AT TOP OF POLE.
 $\frac{7}{8}$ H JUNCTION BOX MAY BE OMITTED
 IF DISTANCE FROM BOTTOM OF POLE TO
 $\frac{3}{4}$ H LEVEL IS LESS THAN 100 FEET.

NOTE: IF TOP BEACON IS MOUNTED ON
 CUSTOMER SUPPLIED PYLON:
 UPPER JUNCTION BOX TO BE AT BASE
 OF PYLON. USE S.O. TYPE CABLE FROM
 UPPER JUNCTION BOX TO PYLON CON-
 NECTION. $\frac{7}{8}$ H JUNCTION BOX MAY
 BE OMITTED IF DISTANCE FROM BOTTOM
 OF PYLON TO $\frac{3}{4}$ H LEVEL IS LESS
 THAN 100 FEET.



NOTE: ALL WIRES MUST BE SUPPORTED
 IN INTERMEDIATE JUNCTION BOXES
 APPROXIMATELY HALF WAY BETWEEN
 LIGHT LEVELS - 100 FEET MAXIMUM.

NOTE: FOR ASSEMBLY INFORMATION
 SEE DRAWING 104180-B.

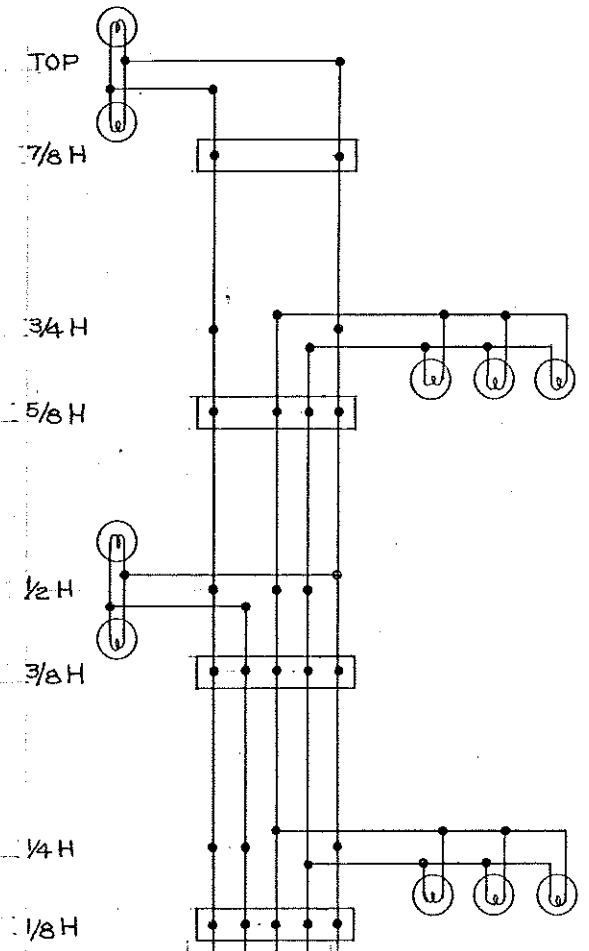
NOTE: FOR TOWER WIRING INFORMATION
 SEE DRAWING 104174-B.

NOTE: FOR WIRING INFORMATION ON
 CONTROLLER AND BOTTOM JUNCTION
 BOX SEE DRAWING 104181-B.

H = OVERALL HEIGHT
 OF STRUCTURE

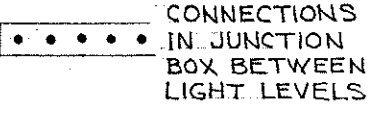
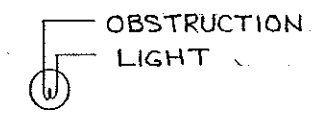
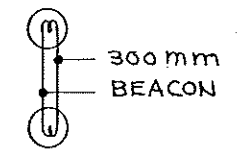
- (B) = BEACON LEVEL
- (O) = OBSTRUCTION LIGHT LEVEL
- (J) = INTERMEDIATE JUNCTION BOX

CHG LET		DESCRIPTION	DATE	REVISIONS																											
<table border="1"> <tr> <td colspan="2">NAME</td> <td colspan="2">PART NO.</td> </tr> <tr> <td colspan="2">LAYOUT DIAGRAM</td> <td colspan="2">PI-ROD, INC.</td> </tr> <tr> <td colspan="2">A 4 LIGHT KIT</td> <td colspan="2">PLYMOUTH, INDIANA 46563</td> </tr> <tr> <td>APPROVED BY</td> <td>DR BY</td> <td>DATE</td> <td rowspan="2">DWG. NO.</td> </tr> <tr> <td>REG. ENGINEER</td> <td>KS</td> <td>2/7/53</td> </tr> <tr> <td>SCALE</td> <td colspan="2">NONE</td> <td>104164-B</td> </tr> <tr> <td>REG. NO.</td> <td colspan="3"></td> </tr> </table>					NAME		PART NO.		LAYOUT DIAGRAM		PI-ROD, INC.		A 4 LIGHT KIT		PLYMOUTH, INDIANA 46563		APPROVED BY	DR BY	DATE	DWG. NO.	REG. ENGINEER	KS	2/7/53	SCALE	NONE		104164-B	REG. NO.			
NAME		PART NO.																													
LAYOUT DIAGRAM		PI-ROD, INC.																													
A 4 LIGHT KIT		PLYMOUTH, INDIANA 46563																													
APPROVED BY	DR BY	DATE	DWG. NO.																												
REG. ENGINEER	KS	2/7/53																													
SCALE	NONE		104164-B																												
REG. NO.																															



LEGEND

H = OVERALL HEIGHT OF STRUCTURE



BEACON 1 #8 BLACK
 BEACON 2 #8 COLOR
 OBSTRUCTION LITES #8 RED
 NEUTRAL #8 WHITE
 NEUTRAL (BEACONS) #6 WHITE

C D E G I

NOTE: ALL CONNECTIONS TO BE MADE IN JUNCTION BOXES WITH WIRE NUTS PROVIDED

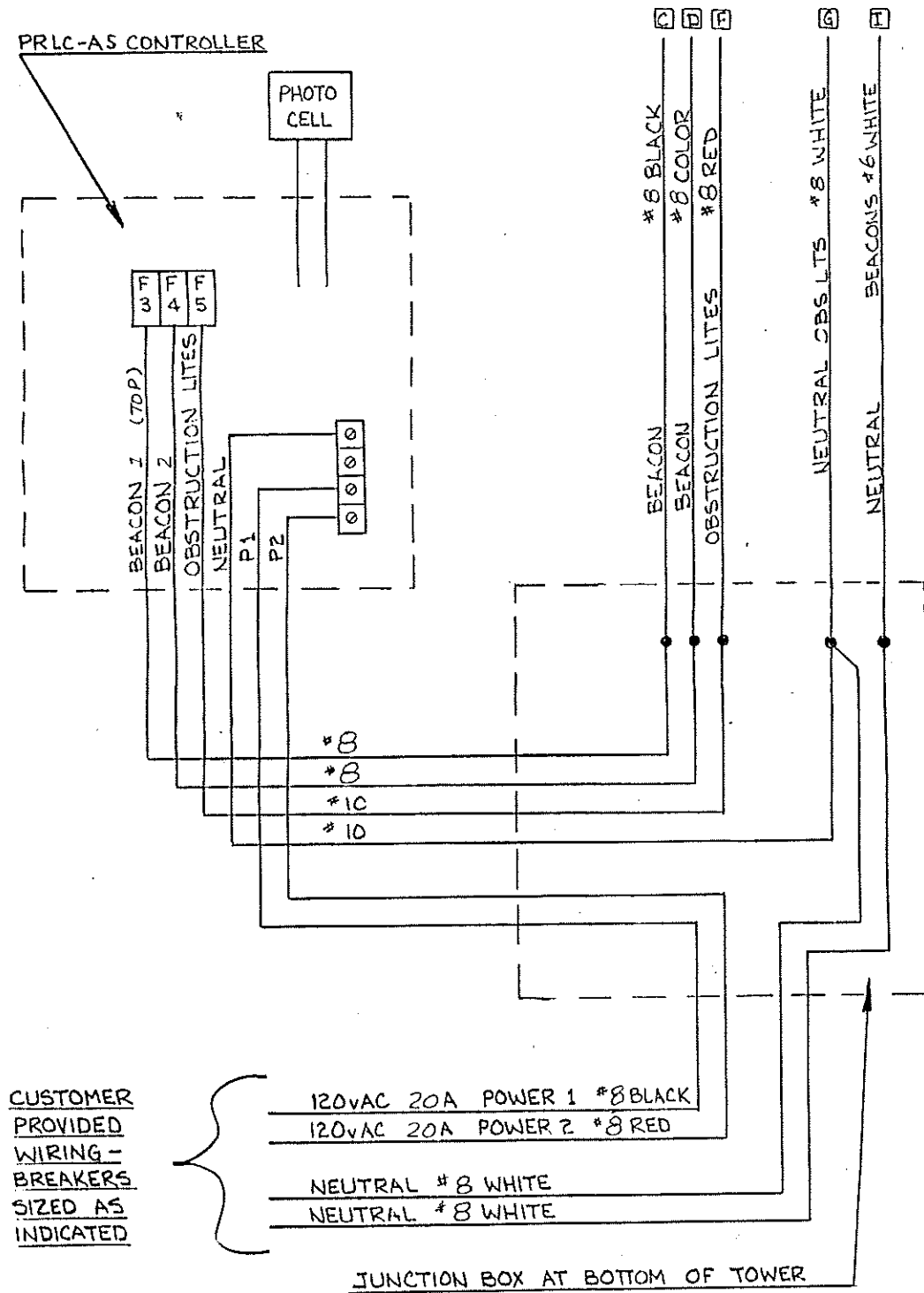
SEE DRAWING 104181-B FOR WIRING OF CONTROLLER AND BOTTOM JUNCTION BOX

• CONNECTIONS AT LIGHT LEVELS

CHG LET		DESCRIPTION		DATE	APPROVED BY	DR BY	DATE	PART NO.
A		REDRAWN		4/1/83	KS	KS	2/5/83	PI-ROD, INC. PLYMOUTH, INDIANA 46563
REVISIONS		REG. ENGINEER		REG. NO.	SCALE		DWG. NO.	104174-B
					NONE			

BRUNING 40-22 57251

FOR TOWER WIRING SEE
 A-5 KIT DRAWING 104175-B
 A-4 KIT DRAWING 104174-B

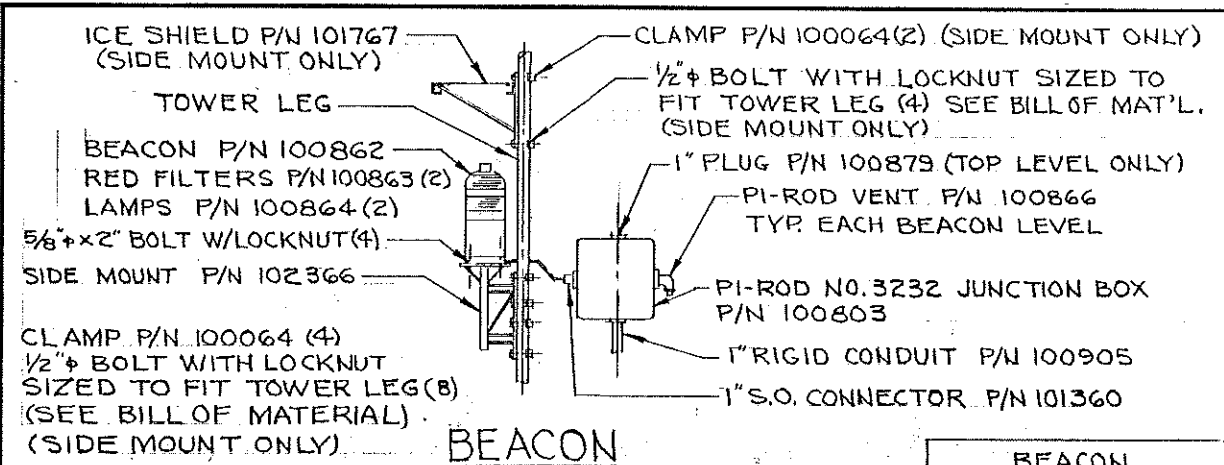


CUSTOMER
 PROVIDED
 WIRING -
 BREAKERS
 SIZED AS
 INDICATED

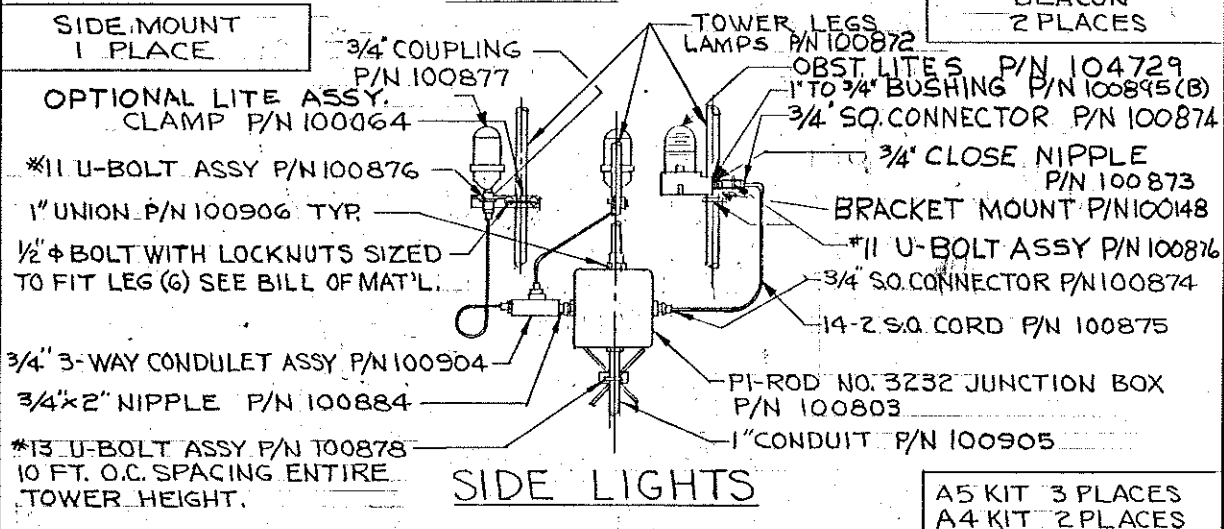
120vAC 20A POWER 1 #8 BLACK
 120vAC 20A POWER 2 #8 RED
 NEUTRAL #8 WHITE
 NEUTRAL #8 WHITE

JUNCTION BOX AT BOTTOM OF TOWER

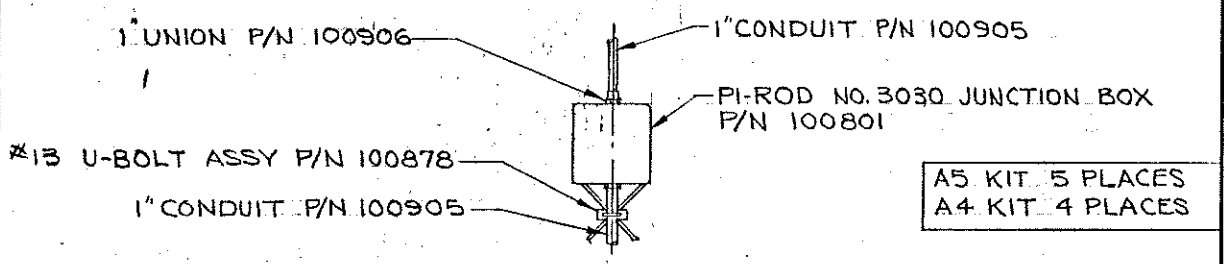
CHG LET		DESCRIPTION	DATE	REVISIONS
NAME LOWER JUNCTION BOX & CONTROLLER WIRING A5, A4, LIGHT KIT APPROVED BY _____ DR BY KS DATE 2/6/83 REG. ENGINEER _____ SCALE NONE REG. NO. _____				
PART NO. PI-ROD, INC. PLYMOUTH, INDIANA 46563				DWG. NO. 104181-B



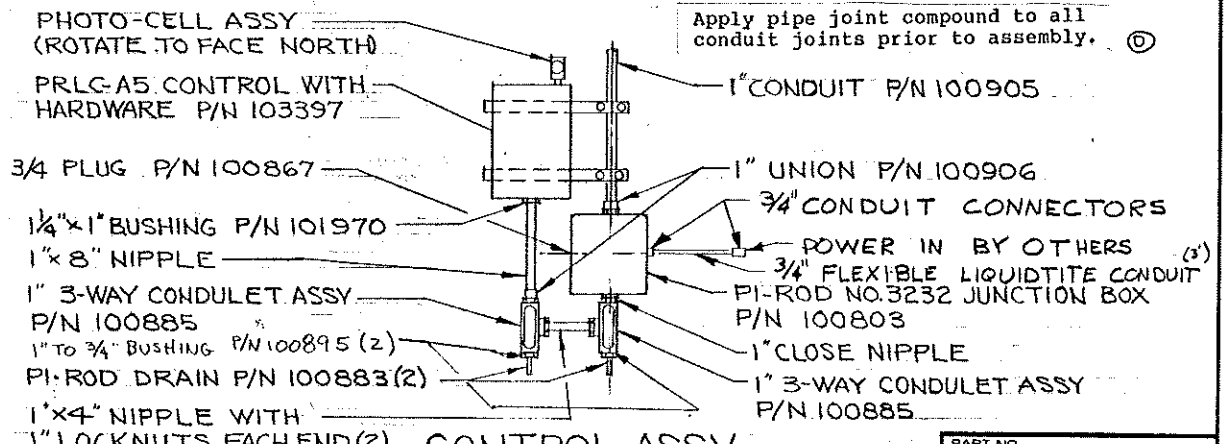
BEACON



SIDE LIGHTS



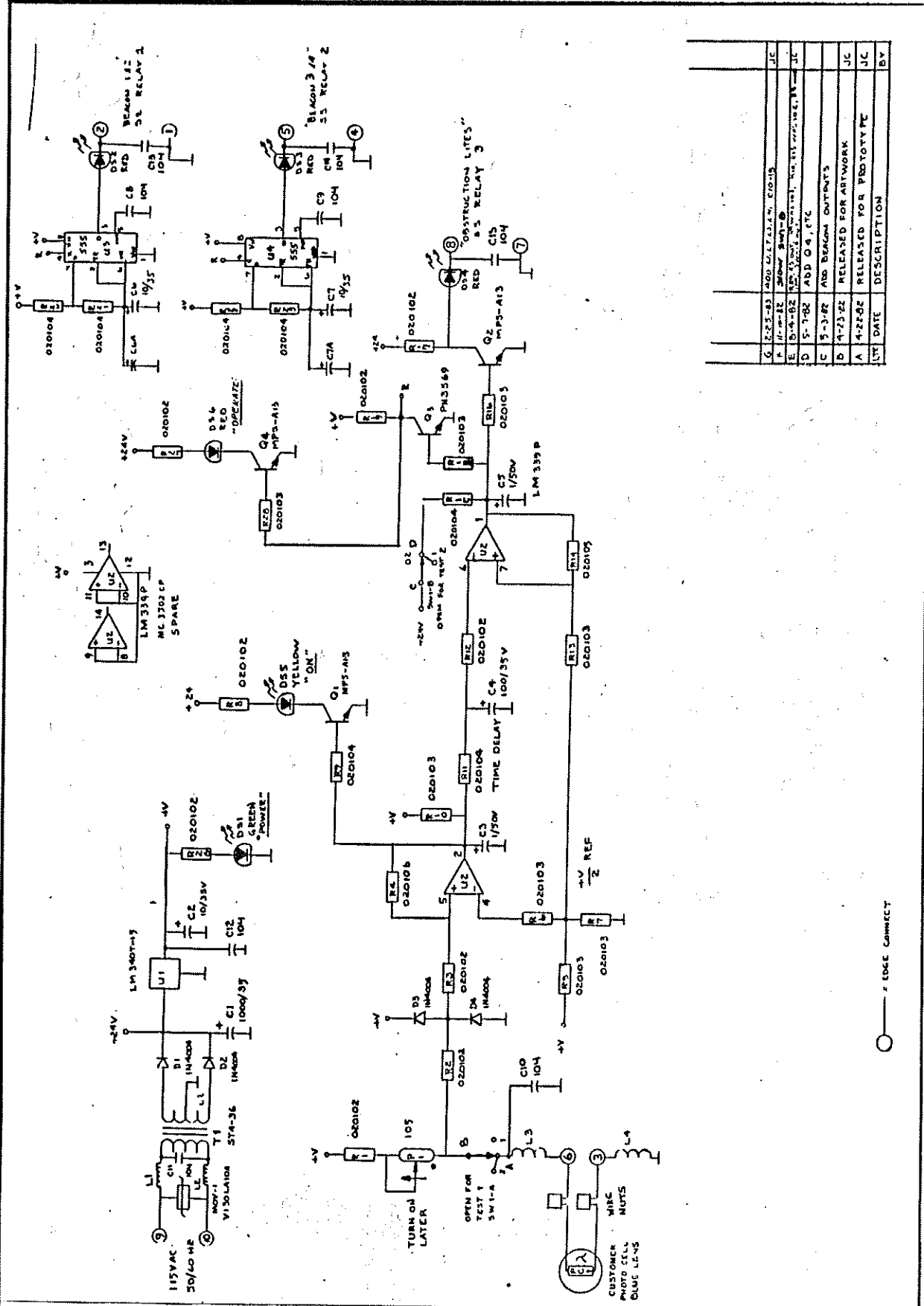
MIDDLE JUNCTION BOX



CONTROL ASSY

D		ADDED NOTE	5/1/83	NAME	ASSEMBLY DRAWING A5,A4 LIGHT KIT		PART NO.
C		REVISED	5/1/83				
B		REVISED	4/7/83	APPROVED BY	DR BY	DATE	DWG. NO.
A		REDRAWN	4/8/83	K'S		2/5/83	
CHG LET	DESCRIPTION	DATE	REG. ENGINEER	SCALE			
	REVISIONS		REG. NO.	NONE			

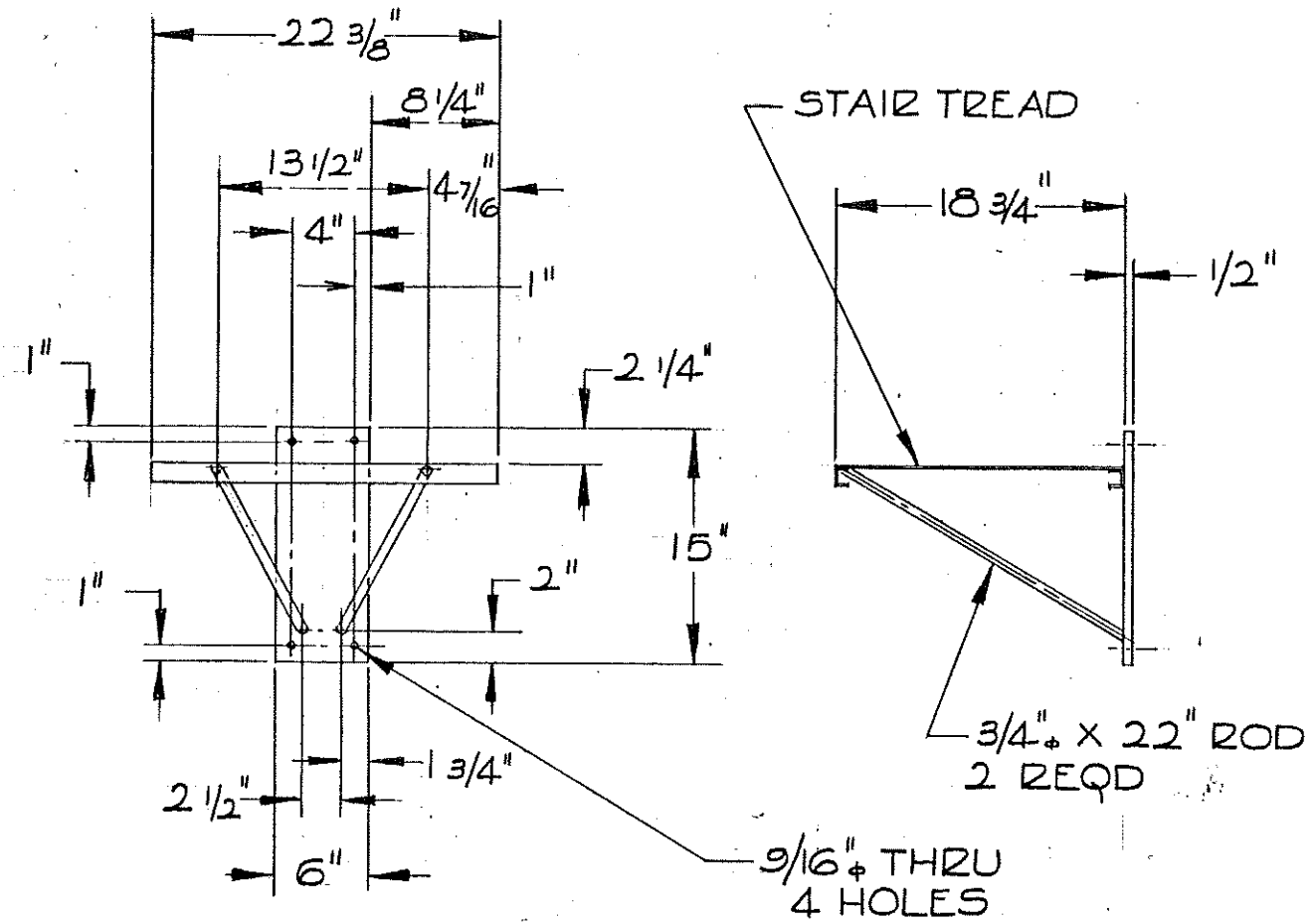
BRUNING 40-23 57251



6	2-25-83	ADD LABELS TO 020103	JC
5	11-1-82	ADD LABELS TO 020103	JC
4	5-10-82	ADD LABELS TO 020103	JC
3	5-1-82	ADD LABELS TO 020103	JC
2	5-3-82	ADD BEGONA OUTPUTS	JC
1	4-22-82	RELEASED FOR ARTWORK	JC
REV	DATE	DESCRIPTION	BY

○ — EDGE CONNECT

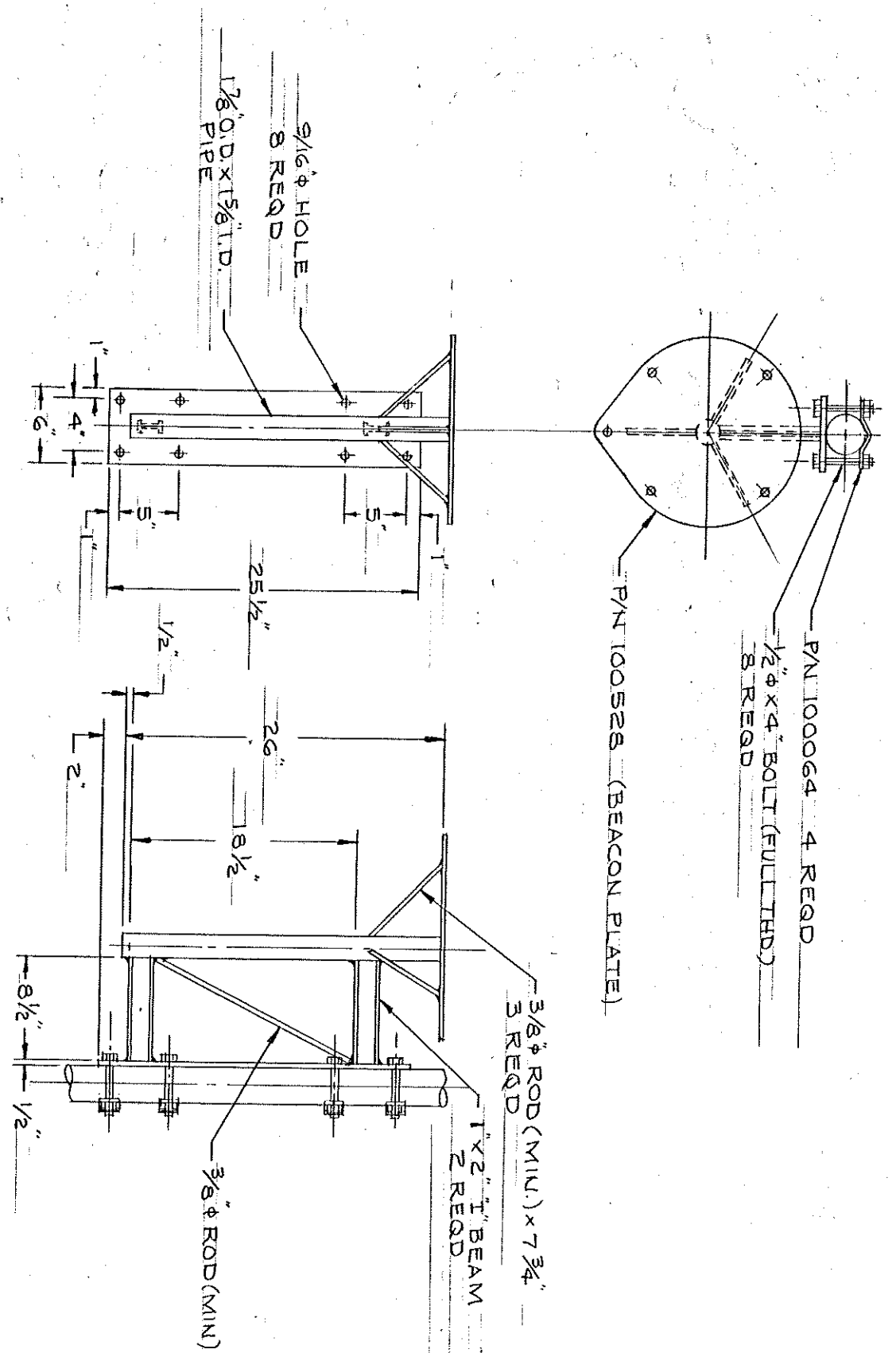
NAME PHOTOCELL AMPLIFIER CIRCUIT SCHEMATIC (used on PRLC-A5, PRLC-A8)		PART NO.	
APPROVED BY		PI-ROD, INC.	
DR BY DATE 9/30/83		PLYMOUTH, INDIANA 46563	
REG. ENGINEER		OWG. NO.	
REG. NO.		105102-B	
CHG LET	DESCRIPTION	DATE	REVISIONS



CHG LET	DESCRIPTION	DATE
	REVISIONS	

NAME ICE SHIELD, STROBE LIGHT	
APPROVED BY	DR BY <i>Zinkenberg</i>
REG. ENGINEER	DATE 10-1-80
REG. NO.	SCALE 1" = 1'-0"

PART NO. 101767
PI-ROD, INC. PLYMOUTH, INDIANA 46563
DWG. NO. 101767-A



CHG LET		DESCRIPTION	DATE	REVISIONS	
NAME		BEACON SIDE MOUNT & INSTALLATION			
APPROVED BY		DR BY	DATE	PART NO.	
REG. ENGINEER		MLA	9/22/81	102366	
REG. NO.		SCALE	1/2" = 12"	PI-ROD, INC.	
				PLYMOUTH, INDIANA 46563	
				OWG. NO.	
				102366-B	