

| UTILITY TOWER TYPE 380 SECTION | | | |
|--------------------------------|---------------|-------------|-------------|
| ELEVATION | MEMBER SIZE | | |
| | LEG | DIAGONAL | GIRTS |
| 1325' TO 1305' | 2" ϕ | 3/4" ϕ | 3/4" ϕ |
| 1305' TO 1285' | 2" ϕ | 7/8" ϕ | 3/4" ϕ |
| 1285' TO 1265' | 2 1/4" ϕ | 7/8" ϕ | 3/4" ϕ |
| 1265' TO 1245' | 2 3/4" ϕ | 1" ϕ | 3/4" ϕ |

NEW UTILITY TOWER TYPE 380

TYPICAL SECTION

4
S-6

SCALE: 3/8"=1'-0"

~BASE LEG 2 3/4" ϕ

| | | | | |
|-------|--------|--------|------|------|
| LEGS | 2-3/4" | 2-1/4" | 2" | 2" |
| DIAGS | 1" | 7/8" | 7/8" | 3/4" |
| GIRTS | 3/4" | 3/4" | 3/4" | 3/4" |



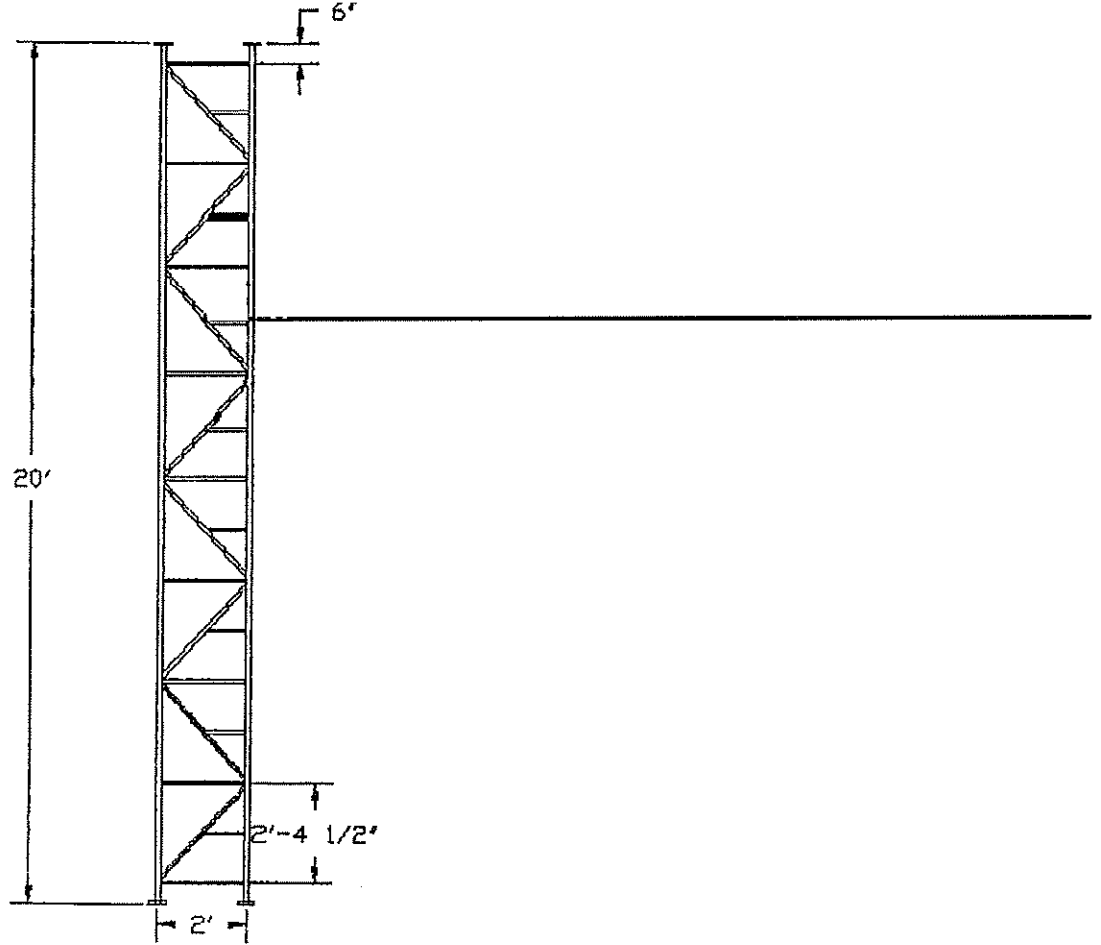
TOP 80 FT.
 DTC TYPE 380 SR
 CULLMAN, ALABAMA

Utility Tower

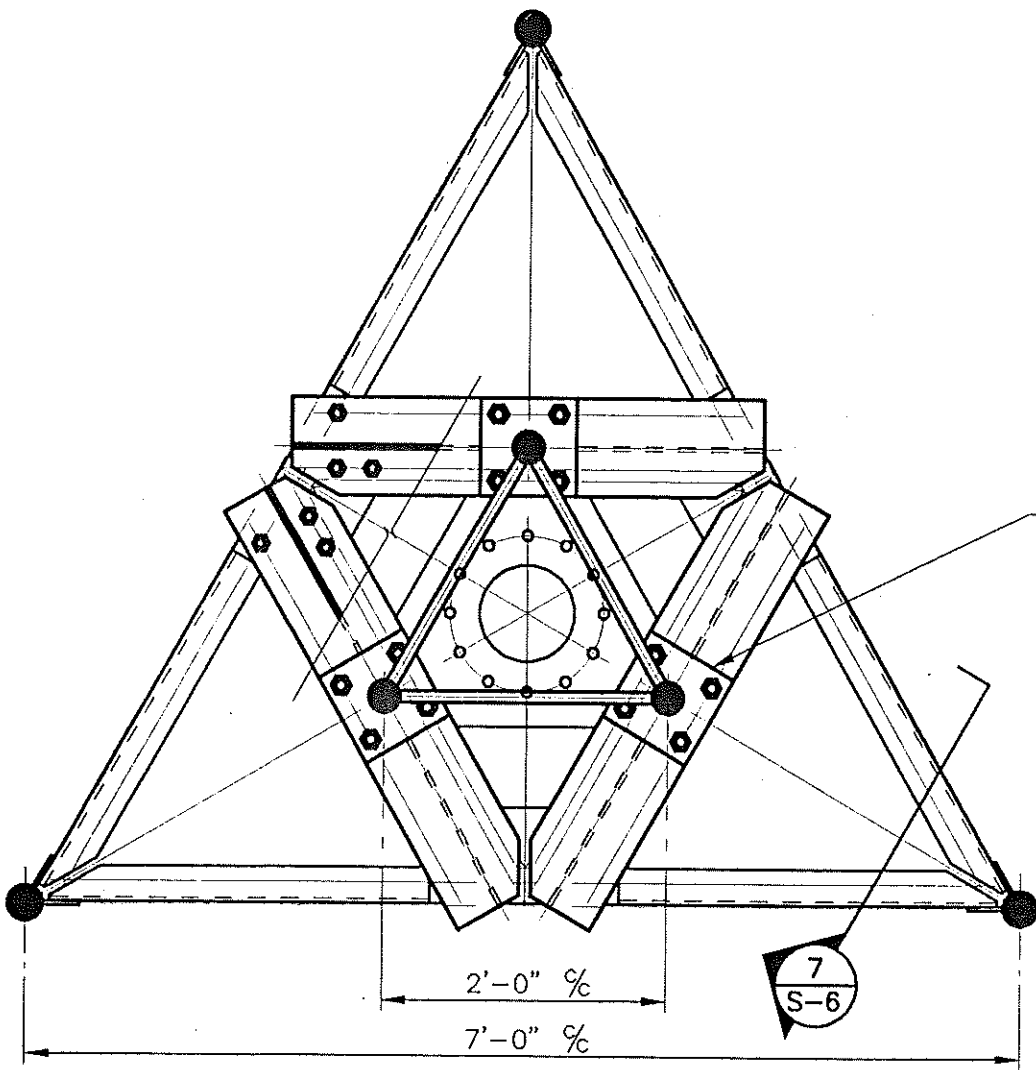
Company

Oklahoma City, OK

405-947-8466



Utility Tower
Company



BASE SPLICE \bar{R} BY
UTILITY TOWER. SEE DETAIL
6/S-6 FOR BOLT
LAYOUT AND MIN. SPECS.

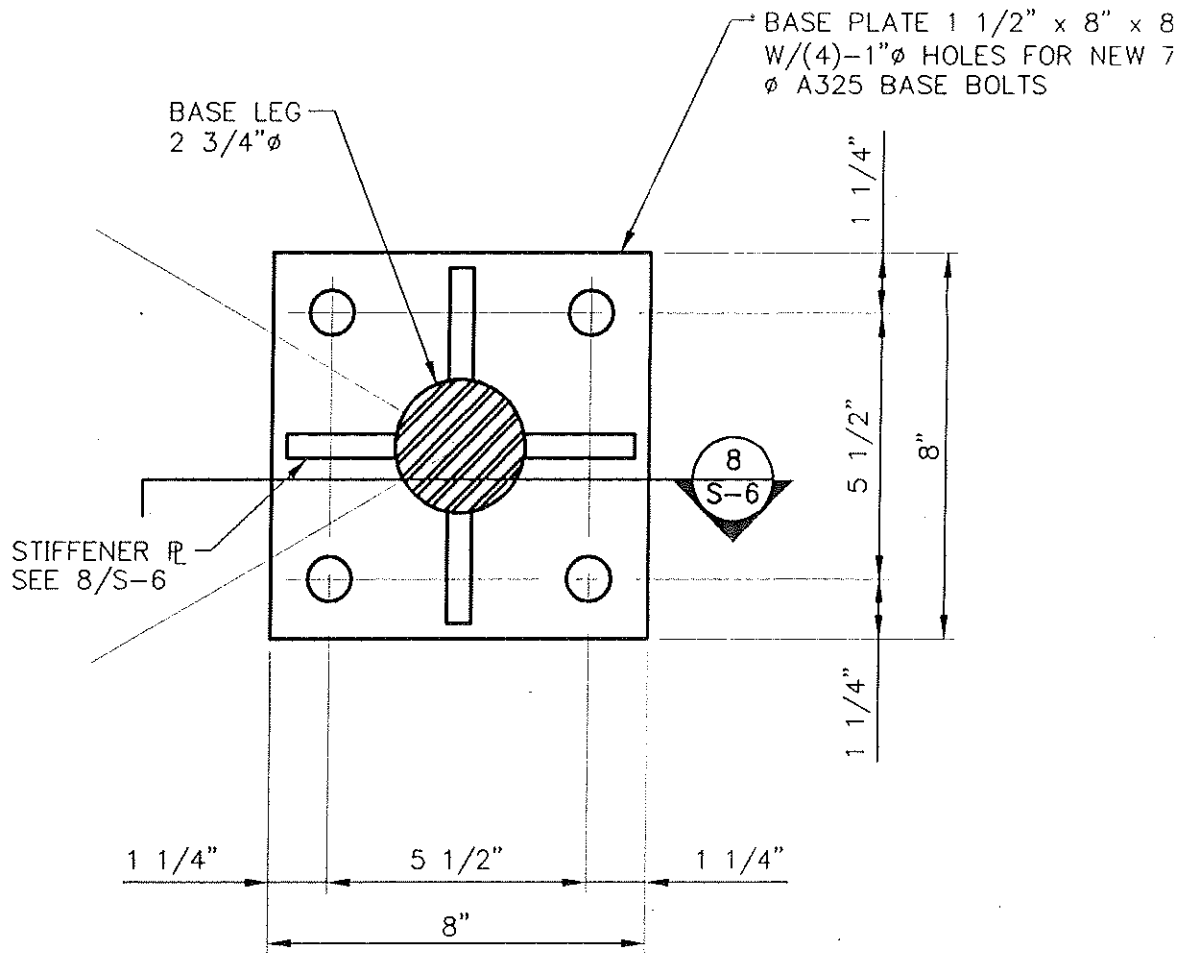
PLAN

SCALE: 3/4"=1'-0"

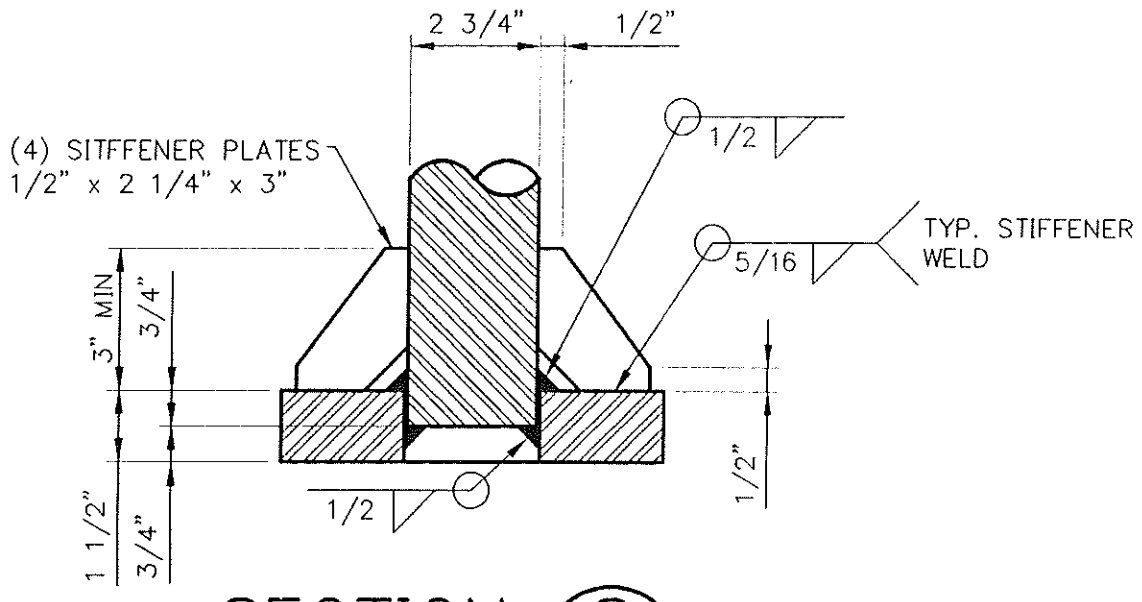
3
S-6

NI

x 8" x 8"
OR NEW 7/8"
;



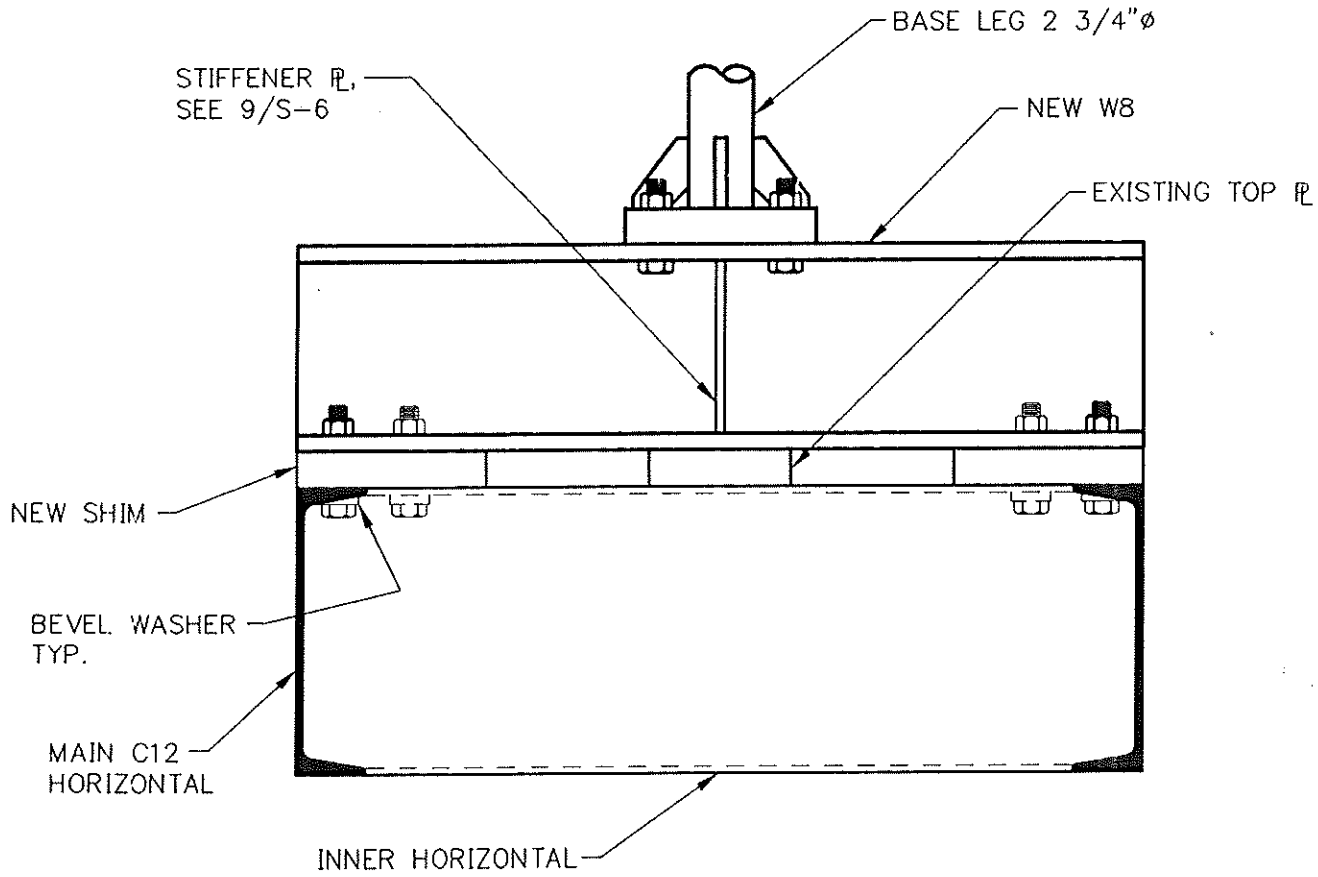
BASE SPLICE PLATE (6)
SCALE: 3"=1'-0" (S-6)



SECTION (A-A)

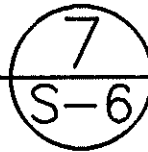
TYPICAL SECTION

SCALE: 3/8"=1'-0"



MOUNTING DETAIL

SCALE: 1 1/2"=1'-0"



STIFFENER
SIDES